

AE-XB547

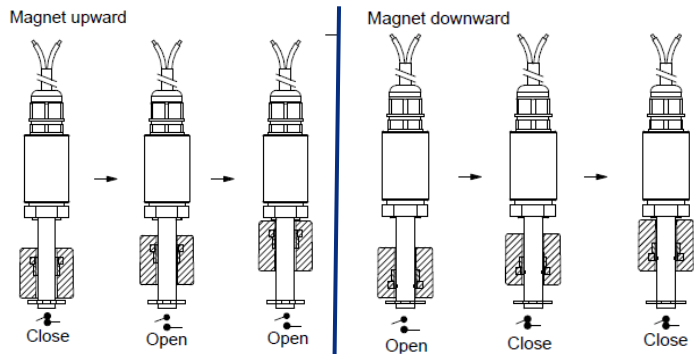


Technical Data

Operating Temperature	-20°C~80°C
Switching Rating	250VAC/70W
Max. carry Current	1A
Lead Wire	5m) (Other lengths available on request)
Float density	0.62 g/cm3
Medium	Water, Diesel, AdBlue

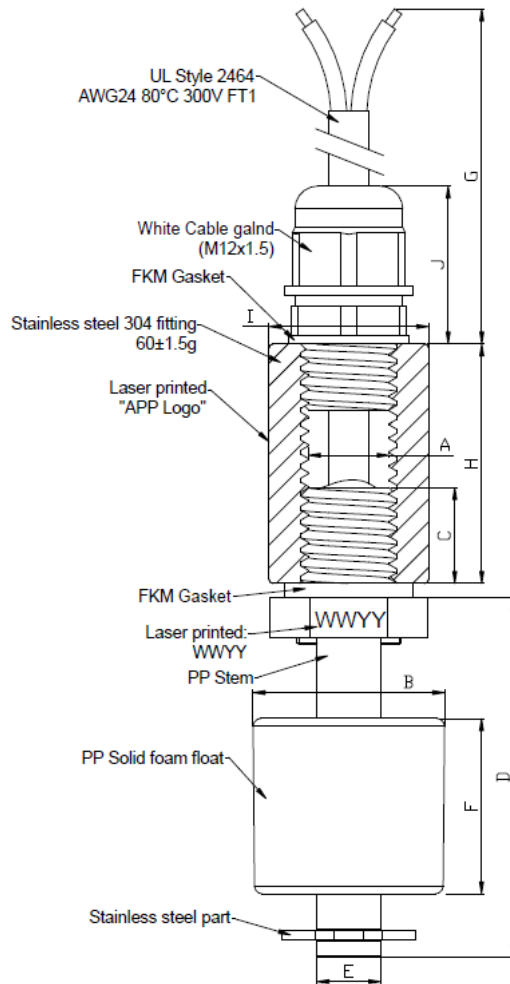


Reversible Float – remove bottom circlip and reverse float for opposite operation. Operation shown below



Adjustable & Submersible Tank Level Switch

The AFS range of adjustable and submersible level switches has been developed to meet the requirements of the tank and bund industry.



A	M12X1.5
B	∅23.8
C	12
D	45
E	∅8
F	22
G	5000±100
H	30
I	∅21.2
J	≈22

Order Codes

AE-XB457	Standard level switch, float weight, cable gland, No Cap
AFS-28557	AE-XB457 with 1 ½" brass cap
AFS-28559	2 x AE-XB457 with 1 ½" brass double cap
AFS-28801	AE-XB457 with 1" plastic threaded plug
AFS-28833	AE-XB457 with 1 ½" plastic cap

