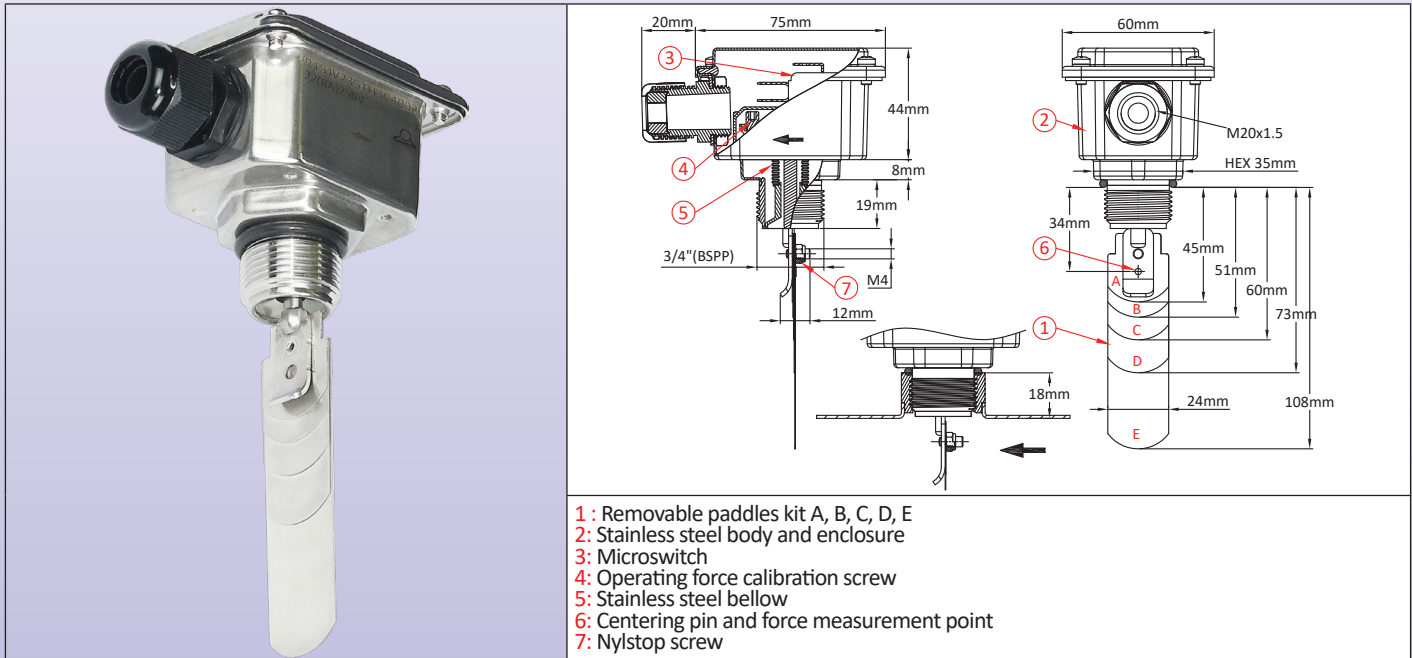




# All stainless steel paddle flow switch, 16A snap action switch, 3/4" male thread

Because of permanent improvement of our products, drawings, descriptions, features used on these data sheets are for guidance only and can be modified without prior advice

Size and pressure	Flow sensing: Removable paddle	Mounting: 3/4" BSPP male thread	Contact: Microswitch	Electrical rating	Mounting position	Type
PN10 DN ≥ 32				16A 250V~		<b>R15</b>



**Main uses:** Water flow detection on water pipes

**Functional principle:** Balanced paddle, perpendicular to the main flow, actuating a micro-switch. Flexible stainless steel bellows between paddle and electric switch.

**Enclosure:** stainless steel 304, IP69K, IK7.

**Mechanism:** 100% stainless steel.

**Paddle material:** Stainless steel .

**Electrical rating:** 16A resistive, 4A inductive, 230V alt. 50.000 cycles.

**Electric contact type:** SPDT, open or close by flow rise.

**Compatible liquids:** Use in clean water, drinking water and liquids compatible with stainless steel.

**Nominal pressure at 20°C:** 1MPa (PN10) .

**Nominal diameter:** Can be used on 32mm internal diameter pipes and above.

The paddle has 5 parts of different lengths allowing to use it on various pipe diameters. Tightening is made by a vibration resistant Nylstop nut.

**Recommended mounting position:** Vertical, with paddle downside. Other positions are possible, but with a change in the calibration value related to the paddle weight.

**Water pipe connection:** Male thread 3/4" (BSPP) and NBR gasket. Must be used on a BSPP 3/4" female fitting perpendicular to the main pipe.

**Recommended torque:** 14N.m

**Liquid temperature range:** 5 to 95°C.

**Ambient temperature range:** 5 to 85°C.

**Installation instructions:**

- Check carefully the paddle orientation: The arrow on housing must be exactly parallel to the pipe.
- A 4 to 5mm minimum gap must be respected between end of the paddle and tube wall opposite to the 3/4" fitting.
- We recommend the use of nozzles of length less than or equal to 18mm between the gasket seat and the inside of the tube and with an inner diameter greater than or equal to 32mm, to avoid blocking of the paddle.

**Accessories:** 3/4" female PVC saddles for DN40 to DN100 (OD) PVC pipes, and other fittings: see section 8 of this catalogue.

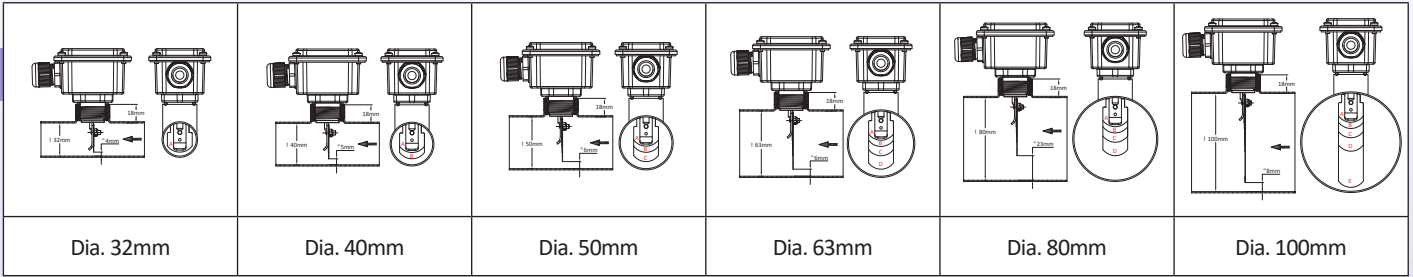
**Options:** Special paddles and calibration at specified values.

Note: In case of modification of the paddle set by the user, it is important to tighten correctly, with a minimum torque of 1.2 Nm, the paddle holding M4 Nylstop nut.



# All stainless steel paddle flow switch, 16A snap action switch, 3/4" male thread

## Mounting on various pipe diameters



## Minimum flow detection values versus pipe internal diameter and selected paddles (Liters per minute, in water at 25°C)

Selected paddles	Calibration force (gr)	Internal dia. 32 mm		Internal dia. 40 mm		Internal dia. 50 mm		Internal dia. 63 mm		Internal dia. 80 mm		Internal dia. 100 mm	
		*Close	**Open	*Close	**Open	*Close	**Open	*Close	**Open	*Close	**Open	*Close	**Open
A	35			20	40								
	40			22	41								
	45	21	22	23	44								
A+B	35			20	27	30	63						
	40			22	30	34	67						
	45			23	31	36	75						
A+B+C	35					27	49	34	63				
	40					29	55	38	66				
	45					35	57	40	68				
B+C+D	35							33	46	60	71	45	81
	40							37	54	62	95	56	93
	45							39	56	65	127	85	120
B+ D+E	35											70	140
	40											75	165
	45											81	180

\* Close by flow rise (L/min) of contact open at no flow position.  
 \*\* Open by flow decrease (L/min) of contact open at no flow position. Average values for indication only. Standard tolerances ±30%.

## Main references (with a set of 5 paddles)

Calibration	References
35 gr	R15KU23STH3C4000
40 gr	R15KV23STH3C4000
45 gr	R15KW23STH3C4000

Because of permanent improvement of our products, drawings, descriptions, features used on these data sheets are for guidance only and can be modified without prior advice