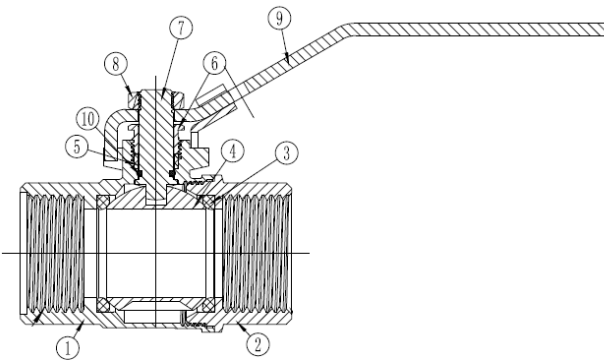
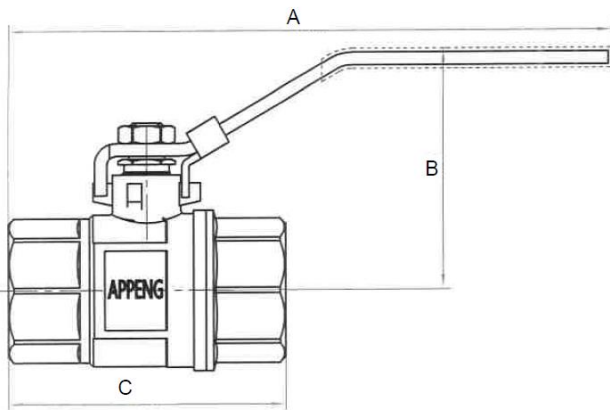


AE-BVFF



Brass F/F Lockable Ball Valve

DN	A	B	C
1"	160.5	66.2	79
1 ¼"	185	78.7	87.6
1 ½"	205.32	81.3	96.9
2"	212.7	89.3	119.6

Features

- Screwed BSP Parallel
- PTFE Seats & Seals
- Full Bore
- Locking Lever

Technical Data

Working Temperature	0°C to 150°C
Max. Pressure : 1" – 1 ½"	40 Bar
Max. Pressure : 2"	30 Bar

N	Part Name	Materials
1	Body	Brass/Nickel Plated
2	Bonnet	Brass/Nickel Plated
3	Seat	PTFE
4	Ball	Stainless Steel
5	Packing	PTFE
6	Packing Nut	Brass
7	Stem	Brass
8	Handle Nut	Stainless Steel
9	Handle	Stainless Steel

Order Number	Description
AE-BVFF100L	1" BSPP BRASS BALL VALVE, Female/Female, Lockable Handle
AE-BVFF125L	1 ¼" BSPP BRASS BALL VALVE, Female/Female, Lockable Handle
AE-BVFF150L	1 ½" BSPP BRASS BALL VALVE, Female/Female, Lockable Handle
AE-BVFF200L	2" BSPP BRASS BALL VALVE, Female/Female, Lockable Handle