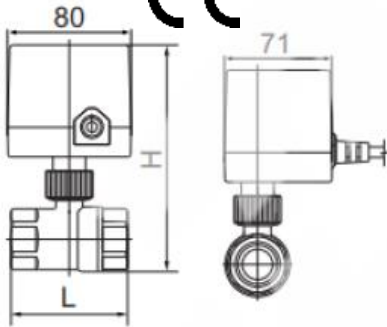
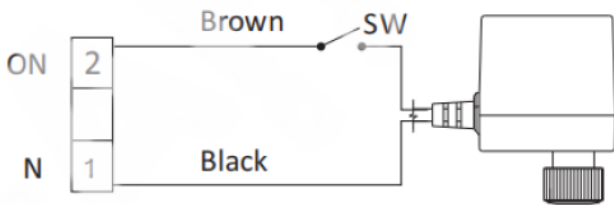


AE-BVAFS



Materials	
Outer Ball	Brass
Inner Ball	Stainless 304
Seals	PTFE



Brass actuated ball valve with female threaded connection and fail safe

Features

- Screwed BSP Parallel
- PTFE Seals
- Full Bore
- Remove actuator for manual override
- Suitable for potable water

DN	L	H	Kv
1/2"	55	124	10
3/4"	62	130	15
1"	71	135	23
1 1/4"	75	142	31
1 1/2"	89	152	38
2"	101	164	38

Technical Data	
Medium Temperature	0°C to 130°C
Ambient Pressure	0°C to 65°C
Max. Pressure	16 Bar
Pressure Differential	<0.6MPa
Medium	Water
Drive Voltage	220 VAC
Protection Class	IP54

Operation

When power is applied, the valve opens, when power is cut off, the valve will close

Order Number	Description
AE-BVAFS050	1/2" Actuated ball valve, Female/Female, Brass
AE-BVAFS075	3/4" Actuated ball valve, Female/Female, Brass
AE-BVAFS100	1" Actuated ball valve, Female/Female, Brass
AE-BVAFS125	1 1/4" Actuated ball valve, Female/Female, Brass
AE-BVAFS150	1 1/2" Actuated ball valve, Female/Female, Brass
AE-BVAFS200	2" Actuated ball valve, Female/Female, Brass