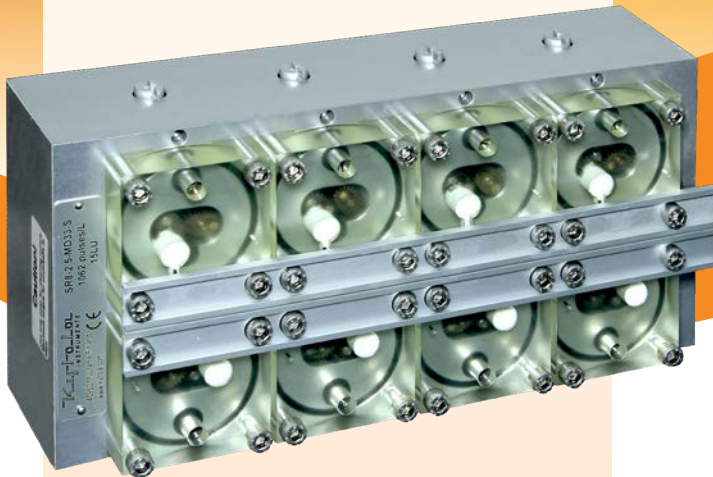


The KYTOLA® Oval Gear Meter Model SRx is designed and developed for lubrication oil measurement in demanding industrial environments.

The Model SRx oval gear meter is a positive displacement meter which always shows the correct flow rate regardless of oil temperature or viscosity changes.



- For oil
- Multi-channel model
- Max. 6 L/min
- Transparent cover
- Kytola coil or NAMUR sensors
- NPT or G thread connectors
- Flow adjustment valves
- ATEX version (II 2GD c TX) as option



ISO 9001 ISO 14001

OVAL GEAR METER SRx

FEATURES

Large viscosity range
30 – 1 000 cSt

Independent of viscosity and
temperature changes

Transparent cover provides highly
visible oil flow indication

Pulse output

Sturdy construction

By-pass valves for service
“on the run”

TYPICAL APPLICATIONS

Lubrication oil flow monitoring

Industrial flow monitoring

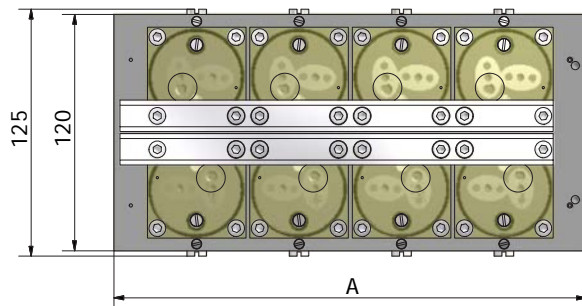
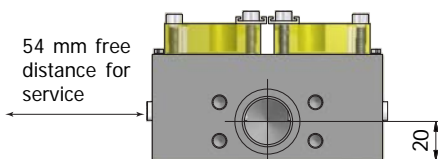
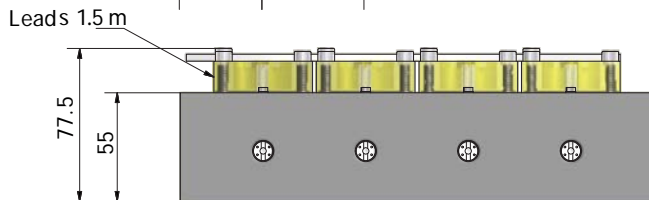
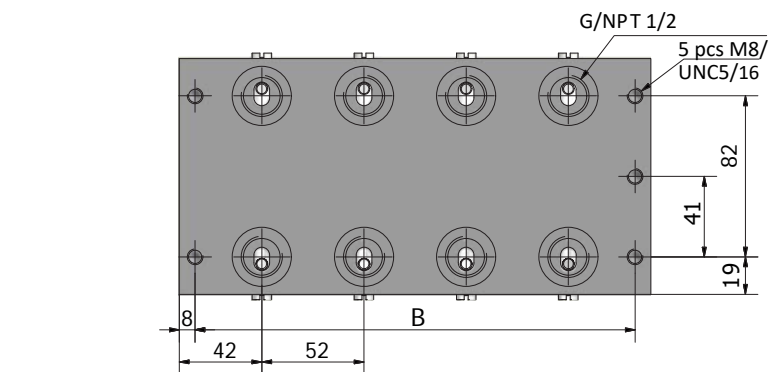
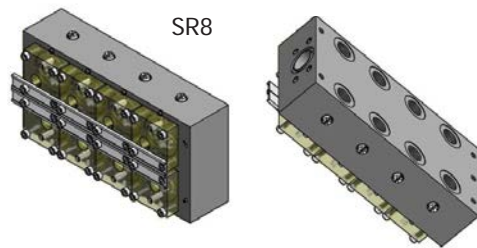
Process control

SRx Multi-Channel

TECHNICAL DATA

Model	SRx-1	SRx-3	SRx-6
Flow range L/min	0.1 – 1.5	0.2 – 3	0.5 – 6
Output pulses/liter	2100	1062	290
Connections G/NPT	1/2"	1/2"	1/2"
Body	Aluminium		
Gears	Composite polymer		
Cover	Polyamide		
Valve	AISI 316		
Seals	Viton®		
Sensor	Kytola coil (compatible with Kytola measuring stations) or NAMUR; EN 60947		
Max. pressure	10 bar (20 bar*)		
Max. temperature	+80°C		
Viscosity range	30–1000 cSt		
Weight	SR4: 2.5 kg	SR6: 3.5 kg	SR8: 4.5 kg
Accuracy	±5% of reading		

* Special construction on request



	A	B
SR4	136	120
SR6	188	172
SR8	240	224

SR [] - [] - S [] - [] - [] - []

Multi-channel Model	
4 measuring points	4
6 measuring points	6
8 measuring points	8
Flow Range L/min	
0.1 – 1.5	1
0.2 – 3	3
0.5 – 6	6
Service valve	S
Connections	
G threads	G
NPT threads	N
Sensors	
Kytola coil (compatible with Kytola measuring stations)	C
NAMUR; EN 60947	A
Without sensor (M12 x 1 thread)	D
Special Feature	
No ATEX	blank
ATEX version – only with NAMUR sensor	Z
Please choose options A and Z	

Standard feature: leave blank



www.kytola.com



Kytola Instruments Oy
 Olli Kytölään tie 1
 FI-40950 Muurame, Finland
 Tel. +358 20 779 0690
 info@kytola.com