

The Kytola® KLD Smart Touchscreen Display is designed to monitor and display flow rates and flow alarms measured by Kytola oval gear meters or other flow meters with pulse outputs.

KLD Smart is conveniently operated using a touchscreen, which enables easy monitoring of flow rates and alarms, and management of settings.



- Single or multi-channel models
- Stand-alone or connected to Kytola monitoring software or 3rd party system
- Pulse or mA input
- mA output
- Alarm relay
- Modbus RTU (RS-485), Modbus TCP (Ethernet) communication
- IP65
- Robust steel enclosure

ISO 9001 ISO 14001

TOUCHSCREEN DISPLAY KLD SMART

FEATURES

- Flow measurement
- Totalizer counter and batching
- Multiple flow units
- Multiple flow alarm levels
- Visible indication of alarm type

TYPICAL APPLICATIONS

- Lubrication oil flow monitoring
- Industrial flow monitoring
- Process control
- Batching

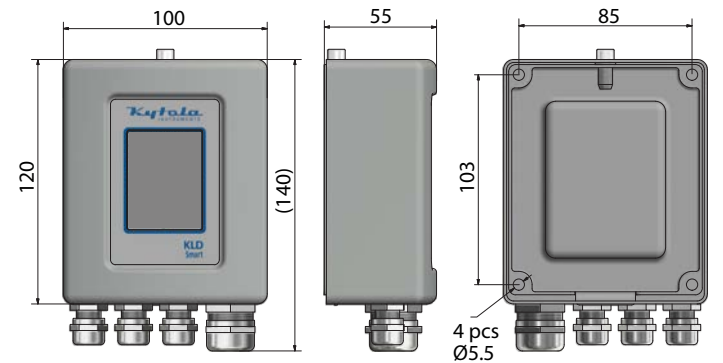
Model	KLDS-1	KLDS-8
Supply voltage	20 – 30 VDC	20 – 30 VDC
Supply current (maximum)	100 mA @ 24 VDC	150 mA @ 24 VDC 350 mA @ 24 VDC with mA outputs
Sensor types	Kytola coil, NAMUR, NPN, PNP	Kytola coil, NAMUR, NPN, PNP
Input frequency	0 – 5 kHz	0 – 400 Hz
Communication	Modbus RTU (RS-485), *Modbus TCP (Ethernet)	Modbus RTU (RS-485), *Modbus TCP (Ethernet)
Current output	*1 pc, 4 – 20 mA, active or passive	*8 pcs, 4 – 20 mA, active
Current input	1 pc; linear, square root, table, custom unit	None
Relay output	1 pc NC, max. 48 VAC/DC, 100 mA	1 pc NC, max. 48 VAC/DC, 100 mA
Enclosure	Painted steel, *stainless steel AISI 316	Painted steel, *stainless steel AISI 316
Protection class	IP65	IP65
Ambient temperature	-20°C...+60°C (relative humidity < 85 %, non-condensing)	-20°C...+60°C (relative humidity < 85 %, non-condensing)
Dimensions	100 x 140 x 55 mm	150 x 160 x 80 mm
Weight	0.7 kg	1.5 kg

* Special construction

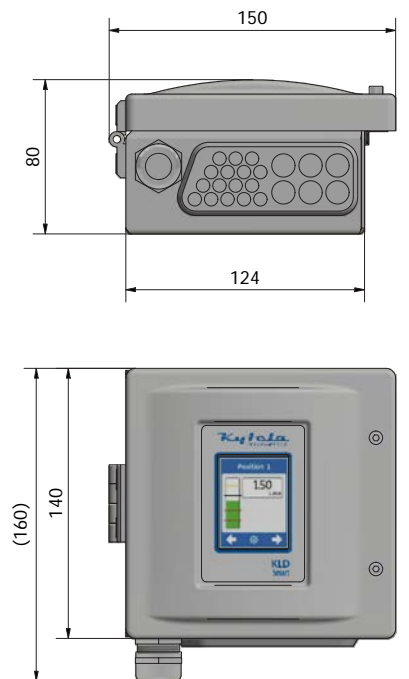
KLDS- ■ - ■ - ■ ■ ■ ■

Number of Input Channels	
1 channel	1
1–8 channels	8
Outputs	
Relay output	0
Relay and mA output	M
Communication	
RS-485/Modbus RTU	0
RS-485/Modbus RTU and Ethernet/Modbus TCP	E
Enclosure	
Painted steel	0
Stainless steel AISI 316	H
KLDS-8 only	
KLDS-8 mounted on the left of the SR meter block	A
KLDS-8 without the SR meter block	C

KLDS-1



KLDS-8



KLDS-8 with SR6 meter block



KLDS-8

