

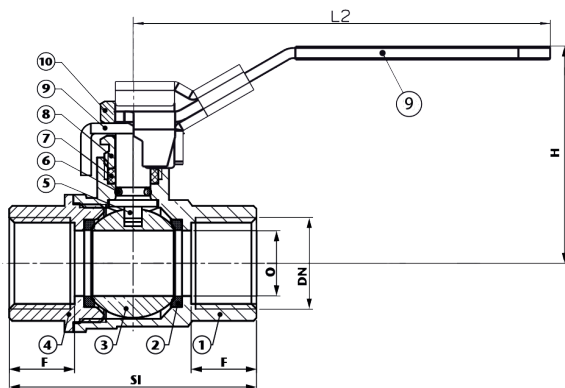
# ART 40P 257C

## PN40 Brass Ball Valve Complete with Locking Lever



### Features

- Screwed BSP Parallel (ISO 228/1)
- Anti-blow-out stem
- PTFE seats & seals
- Full bore



### Technical data

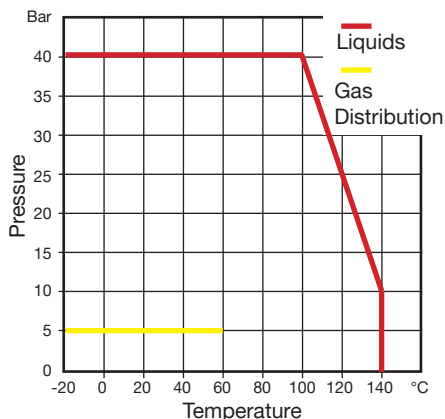
Max pressure: 40 Bar  
Working temp: -20°C to +140°C

### Technical data - Gas distribution

Max pressure: 5 Bar  
Working temp: -20°C to +60°C

DN	1/2"	3/4"	1"	1 1/4"	1 1/2"	2"
O	14.5	19	24.5	31.5	39.5	49.5
F	15	18	19.5	20	21	26.5
SI	57	67	77	88	99	121
H	52	49	62	81	90	96
L2	100	100	125	150	150	165
Kv	16	30	48	100	170	230
Kgs	0.29	0.35	0.50	0.70	1.04	1.44

N.	Part Name	Materials
1	Body	Brass / Nickel Plated CW617N
2	Seat	PTFE
3	Ball	Brass / Chrome Plated
4	Cap	Brass / Nickel Plated CW617N
5	Stem	Brass
6	O-Ring	NBR
7	Stem Packing	PTFE
8	Lock Nut	Brass
9	Lockable Lever	Steel / PVC Plastic Coated
10	Nut	Steel



V1. Dimensions in mm

This data sheet is designed as a guide and should not be regarded as wholly accurate in every detail. We reserve the right to amend the specification of any product without notice.