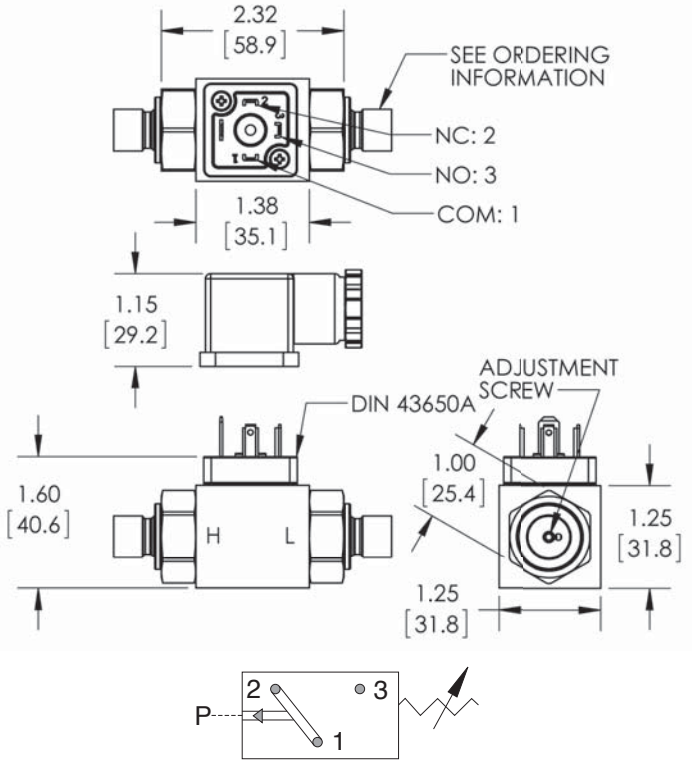




# APPLICATIONS ENGINEERING LTD



# FDA/FDF Differential Switch



Model	Adjustment Range		Avg. Differential	
	PSI	Bar	PSI	Bar
1	5 - 25	0.34 - 1.7	3 - 8	0.2 - 0.55
2	20 - 45	1.4 - 3	5 - 15	0.35 - 1
3	35 - 75	2.4 - 5.2	10 - 20	0.7 - 1.4

### ELECTRICAL:

10 AMP - 12/24 VDC - 125/250 VAC  
Gold contacts may be required for less than 12 VDC and 20 milliamp  
SPDT - Standard Circuit

### WETTED MATERIAL:

Diaphragm: Buna-N (standard)  
(optional EPDM and VITON®)  
Ports: Brass (standard)

### HOUSING:

Aluminum AL2024 Anodized

### PROTECTION:

IP65 except exposed terminals – IP00

### REPEATABILITY:

± 2% of full set point range at 70°F (21°C)  
Ambient Temperature

### SWITCH TYPE:

Snap Action

### MECHANICAL LIFE:

1,000,000 cycles

### TEMPERATURE RANGE:

Buna -N: -15° to +230°F (-26° to 110°C)  
EPDM: -10° to +250°F (-23° to 121°C)  
VITON®: 0° to +302°F (-18° to 150°C)  
(® Registered Trademark of DuPont)

### MAXIMUM OVERPRESSURE:

500 PSI (35 Bar)

### WEIGHT:

0.40 LBS (0.18 kg)

## ORDERING INFORMATION

FDA	- *1	- 4M / 4M		- C	- HC	- *1
Model	Set Point	Port Size		Circuit	Terminal	Options
FDA - Field Adjustable	See Above Adjustment Ranges	<b>Hi Port</b>	<b>Low Port</b>	C - Circuit	H - DIN 43650A Male Half Only HC - DIN 43650A Cable Clamp HN - DIN 43650A 1/2 Conduit (female) HCC - XXX (Specify Length in Inches) HC11A - DIN Light NO/NC 110V HC11B - DIN Light NO/NC 12VDC HC11C - DIN Light NO/NC 24VDC HC11D - Indicating Light Green/Red	* - Omit If Standard 1 - VITON® Diaphragm 2 - EPDM Diaphragm 5 - Spiral Restrictor 6 - Oxygen Cleaned 7 - Gold Contacts
FDF - Factory Set	*Model FDF Specify Set Point Required	4M - 1/4 NPT MALE 4G - 1/4 BSPP MALE 4S - 7/16X20 SAE MALE	4M - 1/4 NPT MALE 4G - 1/4 BSPP MALE			