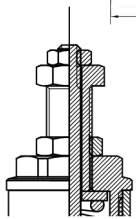
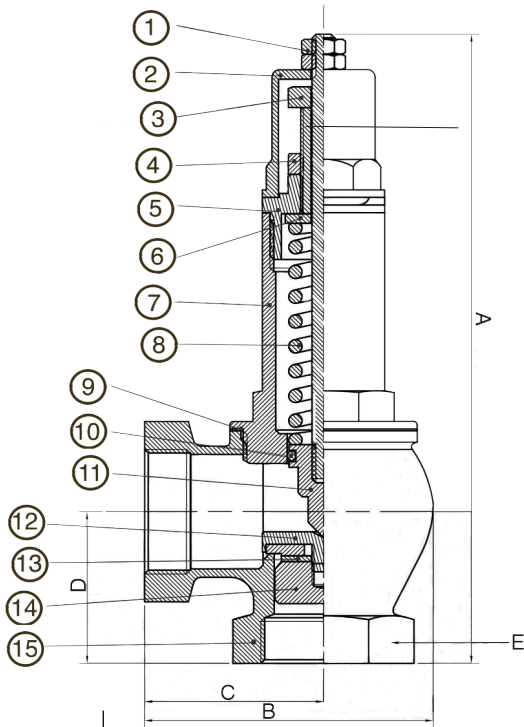


ART 622

Brass Adjustable Pressure Relief Valve

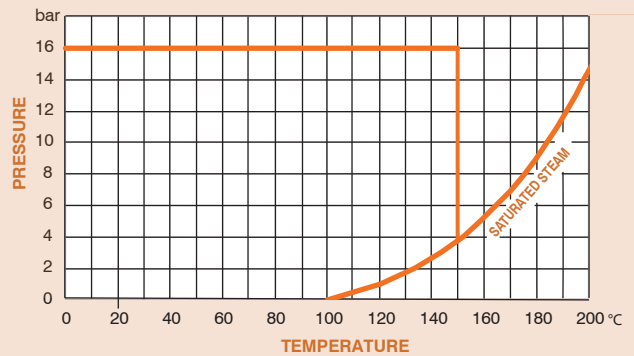
Features

- Screwed BSP Parallel (ISO 228/1)
- Adjustable Range 0.5 to 10 Bar
- 10 to 16 Bar available on request
- Suitable for gases, liquids and steam
- Complies to Directive PED 97/23/EC
- Manual test function
- Suitable for use as a Bypass Valve
- This product should not be used as a safety valve



Alternative top on 2½ and 3" valves.

Pressure / Temperature



DN	½"	¾"	1"	1¼"	1½"	2"	2½"	3"
A	136	158	169	207	230	259	305	315
B	56	64	76	90	100	124	135	145
C	35.5	39.5	47	56	62.5	75	79.5	84.5
D	30	32	40	44	47	60	69	78
E	28	35	41	49	56	71	88	100
Kgs	0.47	0.69	0.97	1.57	2.04	3.18	4.52	5.30

N.	Part Name	Materials
1	Nut and locknut	Brass
2	Housing cap	Brass
3	Regulator	Brass
4	Locknut regulator	Brass
5	Regulator seat	Brass
6	Spring pusher	Brass
7	Bonnet	Brass
8	Spring	Steel
9	Gasket	Pressed fibre
10	O-ring	EPDM rubber
11	Rod	Brass
12	Valve seat	Brass
13	Valve gasket	EPDM rubber
14	Valve nut	Brass
15	Body	Brass

Technical Data

Max Pressure	16 Bar
Working Temperature	0°C to +150°C

Dimensions in mm

This data sheet is designed as a guide and should not be regarded as wholly accurate in every detail. We reserve the right to amend the specification of any product without notice.