



AE-BVFF



Brass F/F Lockable Ball Valve

DN	A	B	C
1"	160.5	66.2	79
1 ¼"	185	78.7	87.6
1 ½"	205.32	81.3	96.9
2"	212.7	89.3	119.6

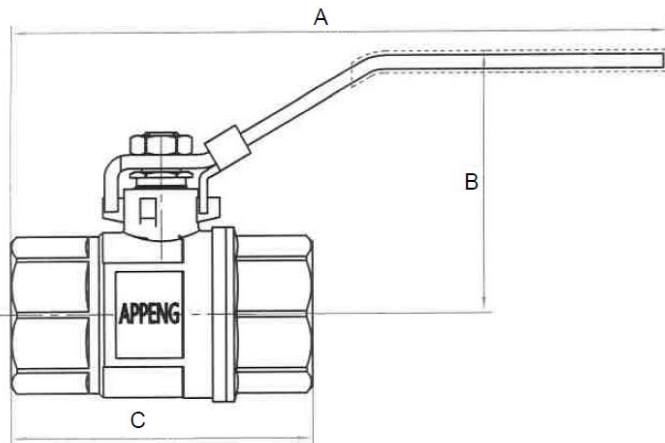
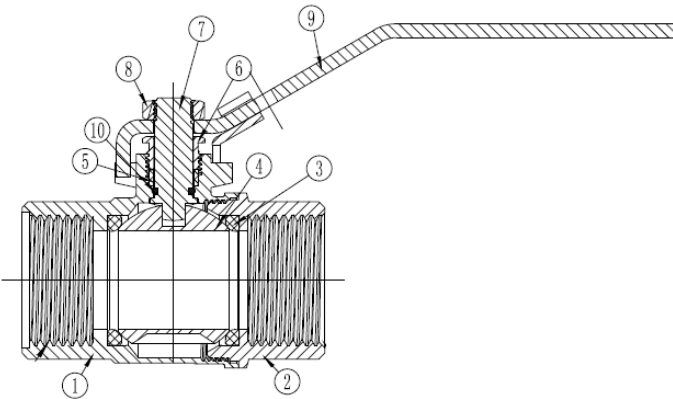
Features

- Screwed BSP Parallel
- PTFE Seats & Seals
- Full Bore
- Locking Lever

Technical Data

Working Temperature	0°C to 150°C
Max. Pressure	40 Bar

N	Part Name	Materials
1	Body	Brass/Nickel Plated
2	Bonnet	Brass/Nickel Plated
3	Seat	PTFE
4	Ball	Stainless Steel
5	Packing	PTFE
6	Packing Nut	Brass
7	Stem	Brass
8	Handle Nut	Stainless Steel
9	Handle	Stainless Steel



Dimensions in mm

This data sheet is designed as a guide and should not be regarded as wholly accurate in every detail. We reserve the right to amend the specification of any product without notice