

## DUAL PORT FIRE SPRINKLER VALVE SET



### Now Available with Monitored Ball Valve

Applications Engineering Dual port fire sprinkler valve set has been specifically designed for the residential & Domestic market, using our own flow switch that has been specifically designed for the valve set to activate at 25 l/min. A monitored Ball valve can be retro fitted and using our unique design also gives the option to monitor to the flow switch

#### Features

- Dual ports that enable the flow switch to be mounted on either side.
- Uses AEL flow switch which has been designed specifically for the valve set to operate at 25 L/min
- The flow switch has a 3/4" union nut for simple, hand tight, installation. No need for tools or awkward 360° rotation of the whole switch.
- 100% pressure tested.
- Supplied with easy to wire Cable gland as standard
- Lockable inlet valve handle
- 1" full bore test valve
- Glycerine filled 16 bar pressure gauge
- Easy access for servicing
- Space saving - 238mm end to end
- Less joints minimise risk of leaks
- Different flow switch options available

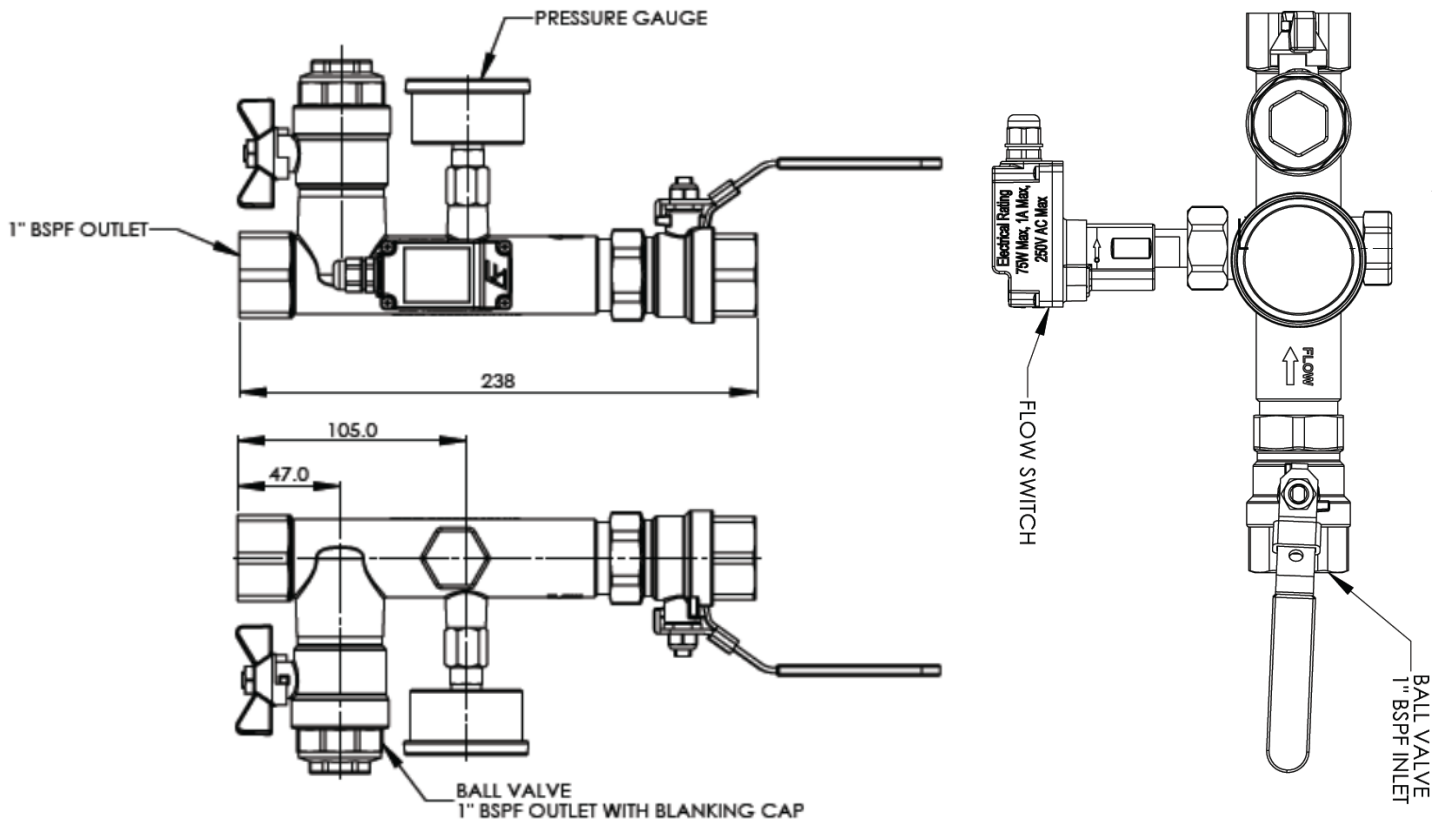


We also supply a full range of WRAS approved check valves, CPVC and MDPE adaptors along with many other extras

T: +44 (0)1825 764737  
 F: +44 (0)1825 768330  
 E: info@appeng.co.uk  
 www.appeng.co.uk



**APPLICATIONS**  
 ENGINEERING LTD



Order Number	Description
AE VS1-A	DN25 (1") Dual Port Residential Valve set kit
AE VS2-A	DN32 (1 1/4") Dual Port Residential Valve set kit
AE VS1-A-BB	DN25 (1") Dual Port Residential Valve set kit with CPVC on inlet and outlet
AE VS2-A-BB	DN32 (1 1/4") Dual Port Residential Valve set kit with CPVC on inlet and outlet
AE VS1-A-C	DN25 (1") Dual Port Residential Valve set kit with Single Check Valve
AE VS2-A-C	DN32 (1 1/4") Dual Port Residential Valve set kit with Single Check Valve

\*Many more options available, just ask a member of the team for details

Technical Data	
Pressure Rating	PN10 (PN25 option)
Medium Temperature	100°C Max
Ambient Temperature	80°C Max
Flow Switch Protection Class	IP64
Switching Current	Max 1 A
Switching voltage	Max 250 VAC
Switching Capacity	Max 70 W

