



**APPLICATIONS
ENGINEERING LTD**

Installation Guide for Applications Engineering Ltd Monitored Ball Valve

**Please ensure all contents listed on the rear of
the leaflet are included with the valve set before
installation.**

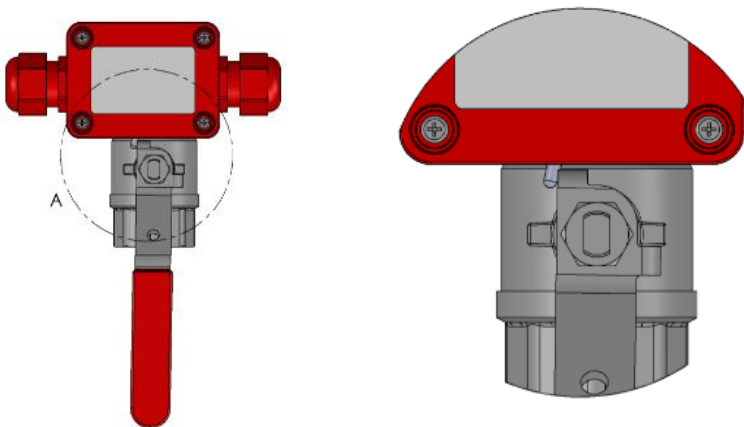




Installation On Ball Valve

Place nuts supplied into bottom half of the black clamp and then use supplied bolts to connect the top half of clamp around hex of ball valve body and attach to bottom half of the clamp.

Using two of the supplied screws, attach the MBV enclosure to the top part of the clamp. Ensure the ball valve is fully open and the toggle is fully engaged against the handle when housing is secure, as per below picture;

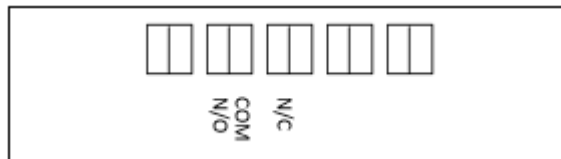


After wiring as required secure the lid to the MBV housing with the remaining four screws supplied.

Wiring Instructions:

Wiring for N/O or N/C signal only

When wiring the MBV to provide a normally open or normally closed switch function only, please refer to the below diagram, ensuring the ball valve is in the fully open position.



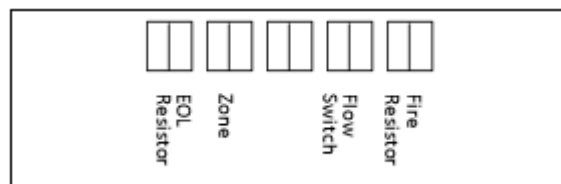
Wiring into a Fire panel

When connecting to a Fire Panel, ensure use of the panel's correct resistor value in the resistor terminals for circuit supervision.

Wire the Flow into the terminal marked Flow.

Wire into the Zone Terminal from the Zone on the Fire Panel and ensure the isolation valve is locked in the fully open position. In this position the circuit will be running at the panel's resistor value when the isolation valve is fully open.

The panel will then signal fault when the ball valve handle is moved or signal fire in the event of an activation of the flow switch.





APPLICATIONS
ENGINEERING LTD

Please ensure all contents listed below are included with the valve set before installation:

- **MBV Enclosure with PCB board & Lid**
- **Upper and Lower clamp for specified Size Ball Valve**
- **2 x Nuts**
- **2 x Bolts**
- **6 x Screws**



British Automatic Fire Sprinkler Association

bafsa



REGISTERED IN THE UK. COMPANY NO. 01754698 (ENGLAND) - VAT NO. GB 207 6966 82

COPYRIGHT © 2018 - APPLICATIONS ENGINEERING LTD - PRIVACY POLICY - TERMS & CONDITIONS - SITEMAP

16 HORSTED SQUARE, BELLBROOK INDUSTRIAL ESTATE, UCKFIELD, EAST SUSSEX, TN22 1QG - TEL: 01825 764737

FOLLOW US ON SOCIAL MEDIA   