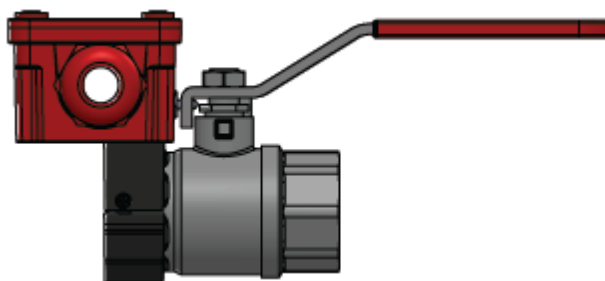




**APPLICATIONS**  
ENGINEERING LTD

# Installation Guide for Applications Engineering Ltd Monitored Ball Valve

Please ensure all contents listed on the rear of the leaflet are included with the valve set before installation.



Applications Engineering Ltd,

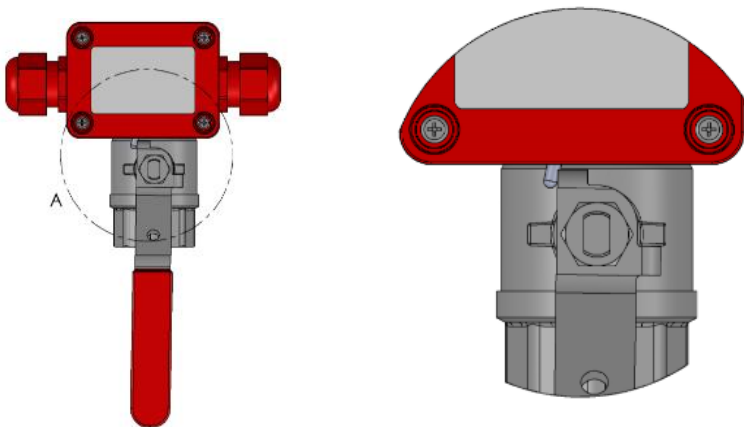
Registered in the UK, Co Registration No. 01754698 VAT No. GB 403 1410 23



## Installation On Ball Valve

Place nuts supplied into bottom half of the black clamp and then use supplied bolts to connect the top half of clamp around hex of ball valve body and attach to bottom half of the clamp.

Using two of the supplied screws, attach the MBV enclosure to the top part of the clamp. Ensure the ball valve is fully open and the toggle is fully engaged against the handle when housing is secure, as per below picture;

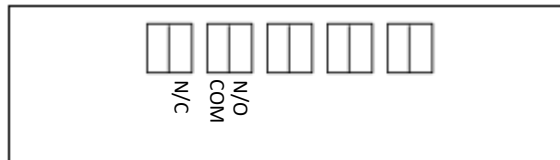


After wiring as required secure the lid to the MBV housing with the remaining four screws supplied.

## Wiring Instructions:

### Wiring for N/O or N/C signal only

When wiring the MBV to provide a normally open or normally closed switch function only, please refer to the below diagram, ensuring the ball valve is in the fully open position.



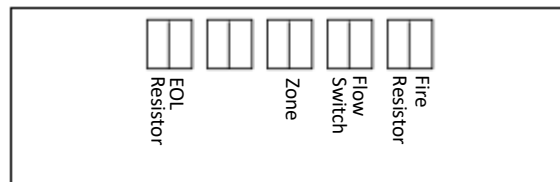
### Wiring into a Fire panel

When connecting to a Fire Panel, ensure use of the panel's correct resistor value in the resistor terminals for circuit supervision.

Wire the Flow into the terminal marked Flow.

Wire into the Zone Terminal from the Zone on the Fire Panel and ensure the isolation valve is locked in the fully open position. In this position the circuit will be running at the panel's resistor value when the isolation valve is fully open.

The panel will then signal fault when the ball valve handle is moved or signal fire in the event of an activation of the flow switch.





**APPLICATIONS**  
ENGINEERING LTD

**Please ensure all contents listed below are included with the valve set before installation:**

- **MBV Enclosure with PCB board & Lid**
- **Upper and Lower clamp for specified Size Ball Valve**
- **2 x Nuts**
- **2 x Bolts**
- **6 x Screws**



Applications Engineering Ltd,

Registered in the UK, Co Registration No. 01754698 VAT No. GB 403 1410 23