

The KYTOLA® Oval Gear Meter Model SR is designed and developed for lubrication oil measurement in demanding industrial environments.

The Model SR oval gear meter is a positive displacement meter which always shows the correct flow rate regardless of oil temperature or viscosity changes.



OVAL GEAR METER SR

- For oil
- Single or multi-channel models
- Max. 254 PPM (120 LPM)
- Kytola coil or NAMUR sensors
- NPT or G thread connectors
- Flow adjustment valves
- ATEX version (II 2GD c TX) as option

ISO 9001 ISO 14001



FEATURES

Large viscosity range
30 – 1000 cSt

Independent of viscosity and
temperature changes

Transparent cover provides highly
visible oil flow indication

Pulse output

Sturdy construction

By-pass valves for service
“on the run”

TYPICAL APPLICATIONS

Lubrication oil flow monitoring

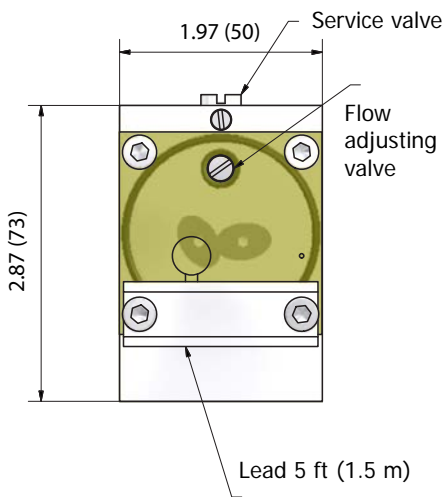
Industrial flow monitoring

Process control

SR-x Single Channel

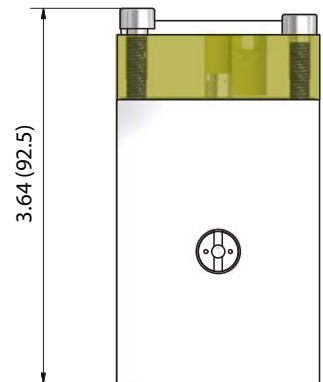
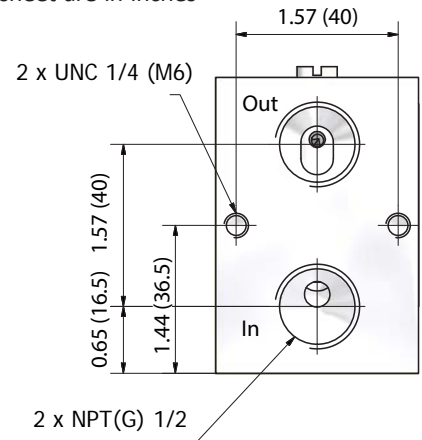
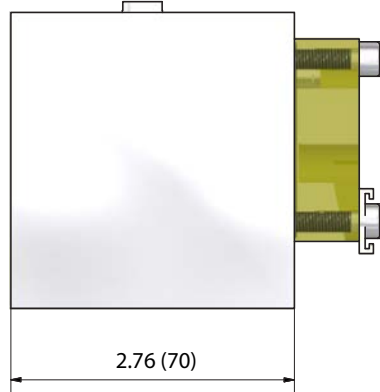
TECHNICAL DATA

Model	SR-1	SR-2.5	SR-6
Output pulses/pint (pulses/liter)	993.7 (2100)	502.5 (1062)	137.2 (290)
Connections NPT/G	1/2"	1/2"	1/2"
Weight	1.3 lbs (0.6 kg)	1.3 lbs (0.6 kg)	1.3 lbs (0.6 kg)
Gears	Composite polymer		
Body	Aluminium		
Cover	Polyamide		
Valve	AISI 316		
Seals	Viton®		
Sensor	Kytola coil (compatible with Kytola measuring stations) or NAMUR; EN 60947		
Max. pressure	145 psi (10 bar), 290 psi (20 bar)*		
Max. temperature	+176°F (+80°C)		
Viscosity range	30–1000 cSt		
Accuracy	±5% of reading		* Special construction on request



NOTE:

Measurements in the drawings in this datasheet are in inches (and millimeters) if not stated otherwise.



SR- -8850- S

Flow Range		
PPM	LPM	
0.2–2	0.1–1	1
0.4–5	0.2–2.5	2.5
1.2–12	0.6–6	6

Connections	
G threads	blank
NPT threads	N

Sensor	
Kytola coil (Compatible with Kytola measuring stations)	blank
NAMUR	A
Without sensor (M12 x 1 thread)	D

Service valve (standard)

Special Feature	
ATEX version – only with NAMUR sensor, please choose A and Z	Z

Standard feature: leave blank
Special feature: choose Character

SR-2.5



www.kytola.ca



Kytola Instruments Inc.

900 Old Roswell Lakes Parkway, Suite 120
Roswell, GA 30076, USA
Tel: +1 678 701 3569
Fax: +1 514 448 5151
E-mail: flow@kytola.ca

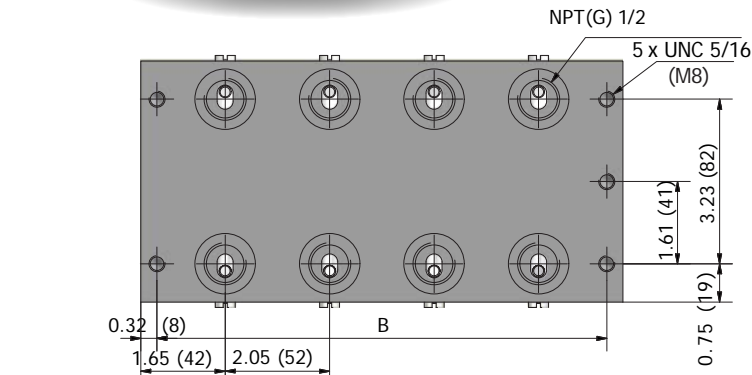
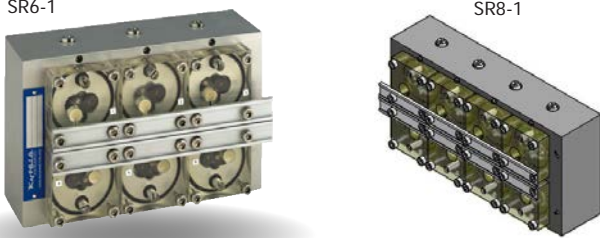
SRx-x Multi-Channel

TECHNICAL DATA

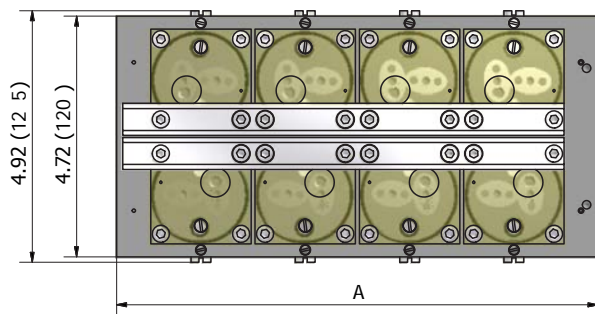
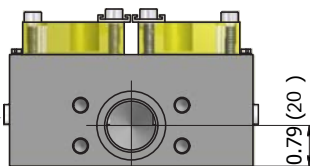
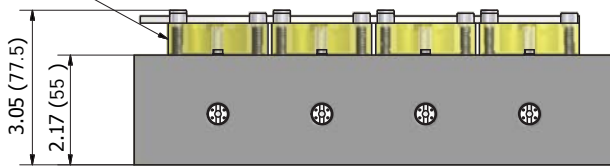
Model	SRx-1	SRx-2.5	SRx-6
Output pulses/pint (pulses/liter)	993.7 (2100)	502.5 (1062)	137.2 (290)
Connections NPT/G	1/2"	1/2"	1/2"
Weight	SR4: 5.5 lbs (2.5 kg)	SR6: 7.7 lbs (3.5 kg)	SR8: 9.9 lbs (4.5 kg)
Gears	Composite polymer		
Body	Aluminium		
Cover	Polyamide		
Valve	AISI 316		
Seals	Viton®		
Sensor	Kytola coil (compatible with Kytola measuring stations) or NAMUR; EN 60947		
Max. pressure	145 psi (10 bar), 290 psi (20 bar)*		
Max. temperature	+176°F (+80°C)		
Viscosity range	30–1000 cSt		
Accuracy	±5% of reading		* Special construction on request

SR6-1

SR8-1



Leads 5 ft (1.5 m)



x	A	B
4	5.35 (136)	4.72 (120)
6	7.40 (188)	6.77 (172)
8	9.45 (240)	8.89 (224)

SR [] - [] - MD33 - [] [] S []

Multi-channel Model

4 measuring points	4
6 measuring points	6
8 measuring points	8

Flow Range

PPM	LPM	
0.2 – 2	0.1 – 1	1
0.4 – 5	0.2 – 2.5	2.5
1.2 – 12	0.6 – 6	6

Sensor

Kytola coil (Compatible with Kytola measuring stations)	blank
NAMUR	A
Without sensor (M12 x 1 thread)	D

Connections

G threads	blank
NPT threads	N
Service valve (standard)	

Special Feature

ATEX version – only with NAMUR sensor, please choose A and Z

Standard feature: leave blank
Special feature: choose Character

Kytola
INSTRUMENTS

www.kytola.ca



Kytola Instruments Inc.

900 Old Roswell Lakes Parkway, Suite 120

Roswell, GA 30076, USA

Tel: +1 678 701 3569

Fax: +1 514 448 5151

E-mail: flow@kytola.ca