

KYTOLA® Model HT Variable Area Flow Meter is an industrial flow meter.

Model HT comes with an injection molded impact resistant flow tube with threaded or socket type connections.

It is a reliable instrument for measuring and monitoring liquid and gas flows.



- For liquid or gas
- Good corrosion resistance
- Threaded or socket type connections
- Flow rate water up to 100 USGPM (375 L/min)
- Flow rate air up to 550 SCFM (14,000 L/min)

ISO 9001 ISO 14001

## FLOW METER HT

### FEATURES

Low cost

Large variety of flow ranges

### TYPICAL APPLICATIONS

Process industry

Chemical industry

Water treatment plants

Flow measurement in PVC piping

General liquid and gas measurement

### OPTIONS

Scales for alternative liquids and gases

Special scale markings

Viton® or EPDM seals

Low and high flow alarm

<b>Model</b>	HT	
Connection size	G/NPT 1 1/4" or 1.97" (50 mm) socket	
Weight	10 oz. (280 g)	
Max. pressure	145 psi at 68°F (10 bar at 20°C), *145 psi at 176°F (10 bar at 80°C)	
Max. temperature	167°F at 29 psi (50°C at 2 bar), *248°F at 29 psi (120°C at 2 bar)	
Flow tube	Grilamid (PA-12) (*PES)	
Connectors	PVC (*AISI 316, PVDF)	
Float	AISI 329 or AISI 329/PTFE (depending on range) Note! Other possible wetted metal parts: AISI 316	
Seals	Nitrile (*Viton®, EPDM)	
Accuracy	±5% F.S. (H <sub>2</sub> O 68°F/20°C)	*) on request

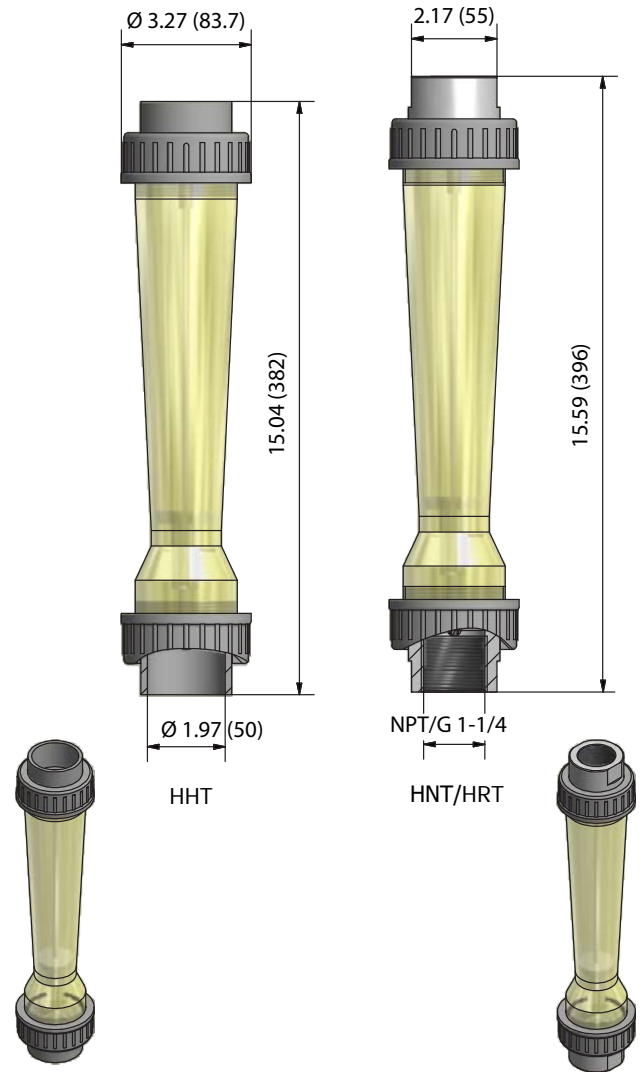
Connections		H	T	-	-	-
Without PVC connectors	<i>blank</i>					
Socket type connections, 1.79" (50 mm)		H				
NPT 1 1/4" threads		N				
G 1 1/4" threads		R				

Flow Range H <sub>2</sub> O		Flow Range Air		
USGPM	L/min	SCFM	NL/min	
3 – 14	10 – 50	15 – 75	400 – 2000	4E
2 – 28	10 – 105	10 – 115	400 – 3000	4A
2.5 – 42.5	10 – 160	10 – 160	400 – 4400	4F
7.5 – 50	30 – 200	40 – 240	1000 – 6000	4B
10 – 80	30 – 300	40 – 320	1000 – 8500	4C
15 – 100	75 – 375	75 – 550	2000 – 14000	4D

Scale		
H <sub>2</sub> O L/min (20°C)		A
H <sub>2</sub> O m <sup>3</sup> /h (20°C)		C
H <sub>2</sub> O USGPM (70°F)		G
Air NL/min (20°C, 1.013 bar abs)		R
Air SCFH (70°F, 14.7 psia)		V
Air SCFM		T

Features		
Grilamid flow tube, nitrile seals	<i>blank</i>	
PES flow tube, nitrile seals		V
PES flow tube, Viton® seals		W
Grilamid flow tube, Viton® seals		X
EPDM seals		Y

Standard feature: leave *blank*  
Special feature: choose Character



**NOTE:** Measurements in the drawings in this datasheet are in inches (and millimeters) if not stated otherwise.