

KYTOLA® Model HK Variable Area Flow Meter is an industrial flow meter.

Model HK comes with an injection molded impact resistant flow tube with threaded or socket type connections.

It is a reliable instrument for measuring and monitoring liquid and gas flows.



- For liquid or gas
- Good corrosion resistance
- Threaded or socket type connections
- Flow rate water up to 20 USGPM (80 L/min)
- Flow rate air up to 85 SCFM (2,200 L/min)

ISO 9001 ISO 14001

FLOW METER HK

FEATURES

- Low cost
- Large variety of flow ranges

TYPICAL APPLICATIONS

- Process industry
- Chemical industry
- Water treatment plants
- Flow measurement in PVC piping
- General liquid and gas measurement

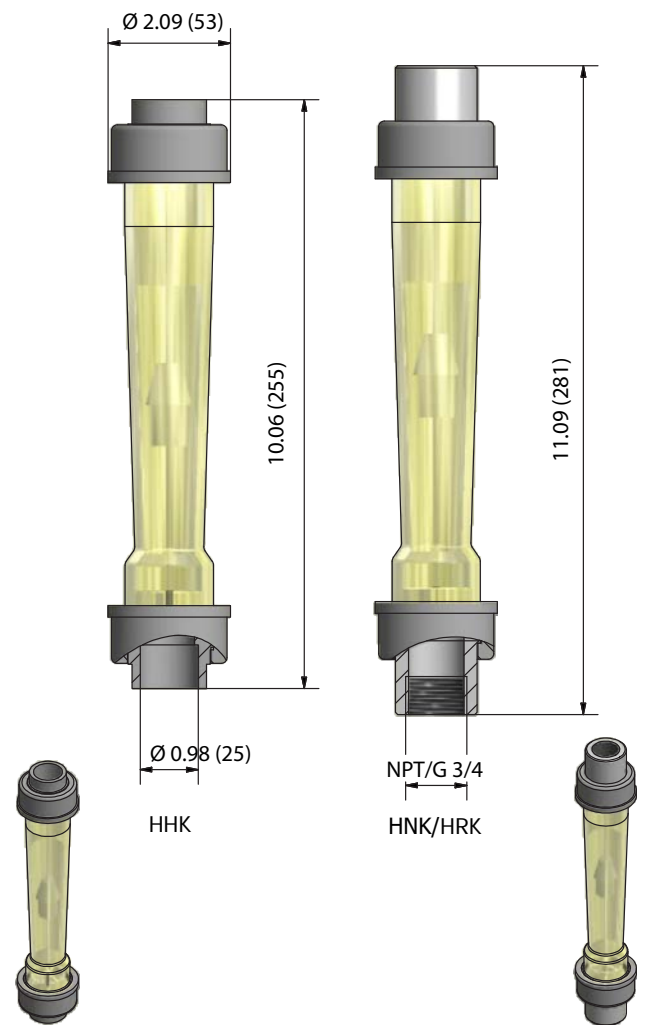
OPTIONS

- Scales for alternative liquids and gases
- Special scale markings
- Viton® or EPDM seals
- Low and high flow alarm

Model	HK	
Connection size	G/NPT 3/4" or 0.98" (25 mm) socket	
Weight	10 oz. (280 g)	
Max. pressure	145 psi at 68°F (10 bar at 20°C), *145 psi at 176°F (10 bar at 80°C)	
Max. temperature	167°F at 29 psi (50°C at 2 bar), *248°F at 29 psi (120°C at 2 bar)	
Flow tube	Grilamid (PA-12) (*PES)	
Connectors	PVC (*AISI 316, PVDF)	
Float	AISI 329 or AISI 329/PTFE (depending on range) Note! Other possible wetted metal parts: AISI 316	
Seals	Nitrile (*Viton®, EPDM)	
Accuracy	±5% F.S. (H ₂ O +68°F/20°C)	*) On request

Connections			
Without PVC connectors	<i>blank</i>		
Socket type connections, 0.98" (25 mm)	H		
NPT 3/4" threads	N		
G 3/4" threads	R		
Flow Range H₂O			
USGPM	L/min	Flow Range Air	
		SCFM	NL/min
1.5 – 5	5 – 20	6 – 22	150 – 600
2.0 – 9	8 – 35	10 – 37.5	250 – 1000
2.5 – 11	10 – 44	10 – 47.5	300 – 1200
3.0 – 15	12.5 – 55	15 – 60	400 – 1700
4.0 – 16	15 – 60	15 – 65	400 – 1800
4.0 – 20	15 – 80	20 – 85	400 – 2200
Scale			
H ₂ O L/min (20°C)			A
H ₂ O m ³ /h (20°C)			C
H ₂ O USGPM (70°F)			G
Air NL/min (20°C, 1.013 bar abs)			R
Air SCFH (70°F, 14.7 psia)			V
Air SCFM			T
Features			
Grilamid flow tube, nitrile seals	<i>blank</i>		
PES flow tube, nitrile seals			V
PES flow tube, Viton® seals			W
Grilamid flow tube, Viton® seals			X
EPDM seals			Y

Standard feature: leave *blank*
Special feature: choose Character



NOTE: Measurements in the drawings in this datasheet are in inches (and millimeters) if not stated otherwise.

Copyright © Kytola Instruments Oy 2019. Dimensions and measurements are given within normal tolerances. Manufacturer reserves the right to changes without prior notification. File HK_es13NA_en Published 3/2019.



www.kytola.ca



Kytola Instruments Inc.
900 Old Roswell Lakes Parkway, Suite 120
Roswell, GA 30076, USA
Tel: +1 678 701 3569
Fax: +1 514 448 5151
E-mail: flow@kytola.ca