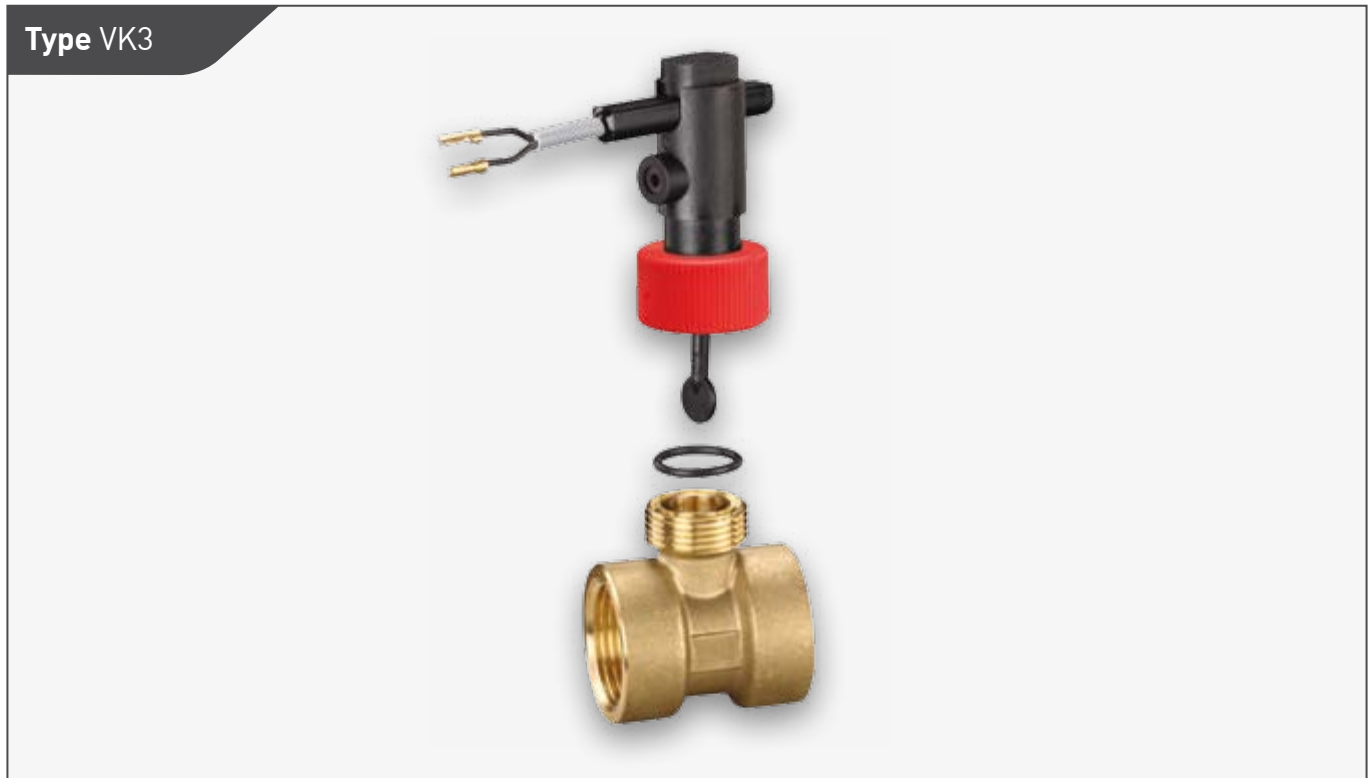


# Flow switches made of plastic

With threaded brass pipe tee



Type VK3

### Technical data

<b>Switching function</b>	Contact → closes at increasing flow → opens at decreasing flow Reversing possible
<b>Pressure rating</b>	PN 10
<b>Temperature ranges</b>	
<b>Medium</b>	-25...100 °C
<b>Ambient</b>	-25...70 °C
<b>Electrical data</b>	
<b>Electrical connection</b>	1.5 m PVC jacket cable
<b>Switching current</b>	Max. 1 A
<b>Switching voltage</b>	Max. 230 VAC, 48 VDC
<b>Rating</b>	Max. 26 VA, 20 W
<b>Degree of protection EN 60529</b>	Max. IP65
<b>Protection class EN 60730-1</b>	Class II
<b>Approvals</b>	

### Benefits

- Flow switches made of glass fibre reinforced plastic
- With threaded brass tee DN 8...50
- Factory set special set points for series applications
- 1.5 m jacket cable or according to customer specification

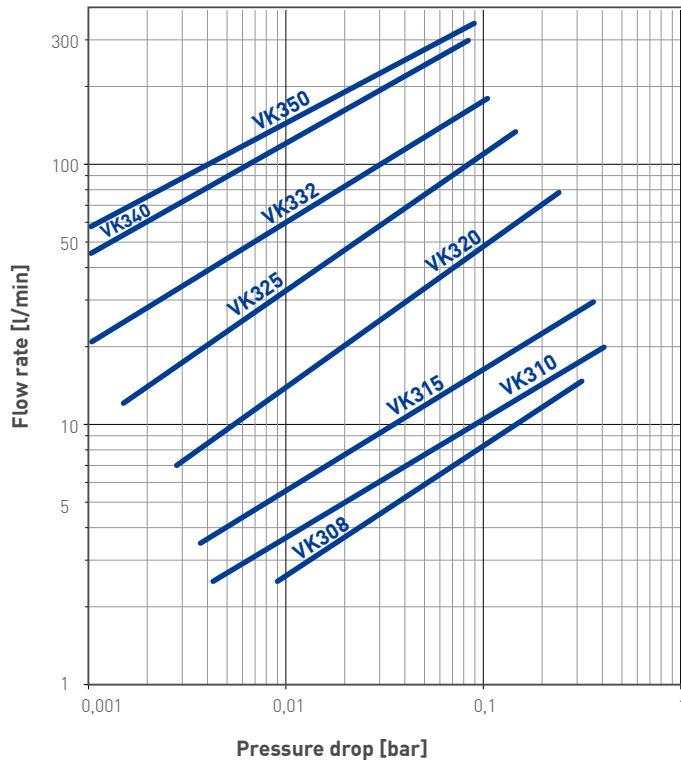
### Options on request

- Special setpoints
- 4 different colours of the union nut for distinction
- Recognized component ETL according to UL & CSA standards

## Setpoint ranges and typical pressure drop

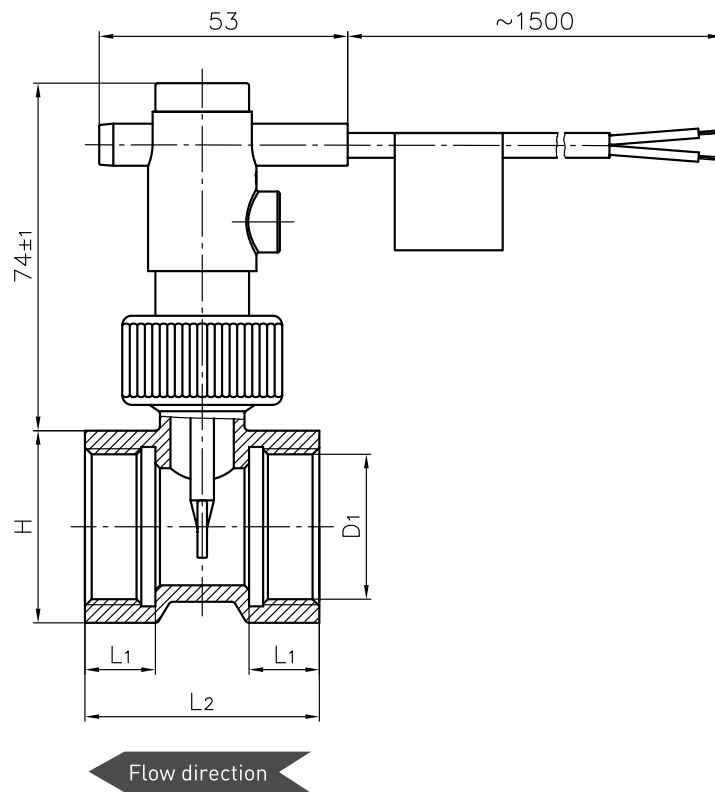
Order code	Nominal diameter	Thread connection D <sub>1</sub>	Setpoint ranges [l/min]*		Max. flow rate [l/min]
			Increasing flow ON	Decreasing flow OFF	
VK308M0P10PI11	DN 8	G¼	2.7...3.0	2.6...2.9	15
VK310M0P10PI21	DN 10	G¾	3.0...3.8	2.8...3.7	20
VK315M0P10PI31	DN 15	G½	3.8...5.1	3.6...4.9	30
VK315M0P10PA31	DN 15	G½ male	3.0...3.8	2.8...3.7	20
VK315M0P10PA41	DN 15	G¾ male	3.0...3.8	2.8...3.7	20
VK320M0P10PI41	DN 20	G¾	7.2...9.0	6.9...8.7	80
VK325M0P10PI51	DN 25	G 1	13.0...16.5	12.3...15.9	130
VK332M0P10PI61	DN 32	G 1¼	16.5...21.0	16.0...20.5	180
VK340M0P10PI71	DN 40	G 1½	27.0...33.5	25.5...32.5	300
VK350M0P10PI81	DN 50	G 2	41.5...53.5	40.6...52.8	350

\* Water, 20 °C, horizontal pipe, tolerance ±15 %



## Dimensions and materials

Dimensions [mm]			
Thread connection D <sub>1</sub>	L <sub>1</sub>	L <sub>2</sub>	H
G 1/4	11	50	27
G 3/8	11	50	27
G 1/2	11	50	27
G 1/2 male	10	60	
G 3/4 male	11	50	
G 3/4	15	50	32
G 1	15	50	41
G 1 1/4	15	50	48
G 1 1/2	15	50	55
G 2	22	64	70



Materials in contact with fluid	
Body, Paddle	PP0 Noryl GFN 3
Pipe tee	Brass CW617N
Magnet	Hard ferrite
O-ring	NBR