


# Flow monitors for insertion installation

Paddles interchangeable, for marine applications



Technical data	
<b>Switching function</b>	Change over contact
<b>Pressure rating (Test pressure)</b>	Max. 6 bar (10 bar) Max. 10 bar (15 bar)
Temperatures	
<b>Medium</b>	Max. 100 °C
<b>Ambient</b>	Max. 85 °C
Electrical data	
<b>Max. contact rating</b>	24 VDC, 5 A resistance load 4 A inductive load 60 VDC, 1 A resistance load 0.5 A inductive load 250 VAC, 10 A resistance load 10 A inductive load
<b>Degree of protection EN 60529</b>	IP54
<b>Protection class EN 60730-1</b>	Class I
Approvals	
	Germanischer Lloyd, Type Approval Certificate No. 89824-94HH and 94970-10HH

## Benefits

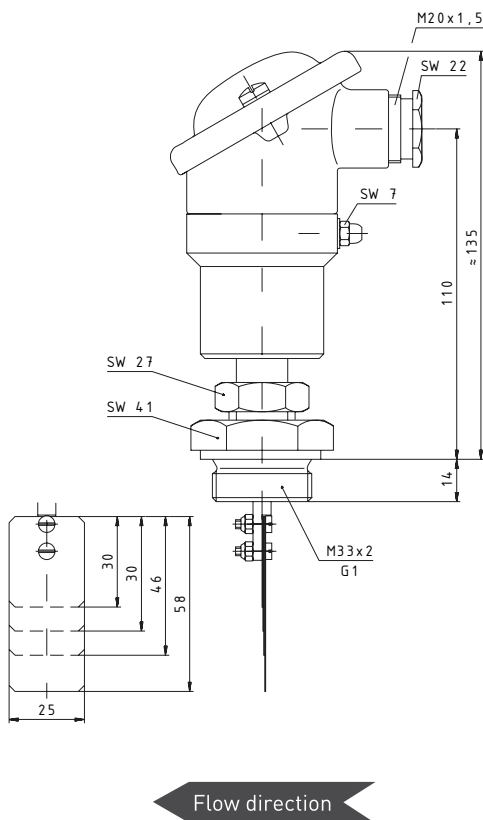
- Germanischer Lloyd Type Approval
- Suitable for water, oil, etc.
- Insertion installation into pipes or pipe tees DN 25...DN 50 or bigger
- Four paddles in different sizes included, selection in accordance to the pipe size
- Robust construction
- Vibration proofed to 4 g
- Wide set point ranges universal applicable
- Set point adjustment by paddle size selection and by adjustment screw
- Micro switch with high contact rating

## Setpoint ranges, dimensions and order code

Size of pipe tee	Paddle to select**	Set point ranges [m³/h]*	
		Increasing flow ON	Decreasing flow OFF
DN 25	25 x 30 mm	1.0...1.25	1.05...1.2
DN 32	25 x 38 mm	1.7...2.05	1.6...1.95
DN 40	25 x 46 mm	2.2...2.55	2.1...2.45
DN 50	25 x 58 mm	3.25...3.85	3.15...3.75

\* Water, 20 °C, horizontal pipe, tolerance ±15 %

\*\* Higher set points selectable by use of smaller paddle sizes  
Set points for bigger pipe sizes on request



### Materials in contact with fluid

Body, process connection	Brass 2.0401
Bellow system	Stainless steel 1.4571
Paddles	Stainless steel 1.4310
Flat gasket	HD 300
O-ring	NBR

Order example	VH500	N	I3451R41
<b>Type</b>			
VH500	VH500		
<b>Pressure rating</b>			
6 bar		N	
10 bar		R	
<b>Process connection</b>			
G1			I3451R41
M33 x 2			M3451M41