



# MPA/MPS Pressure Switch SPST

The MPA/MPS range has been developed by Applications Engineering Ltd as a rugged general purpose pressure switch suitable for applications where cost and reliability are leading factors. Available as both adjustable (MPA) and factory set versions (MPS) with SPST electrical contacts.

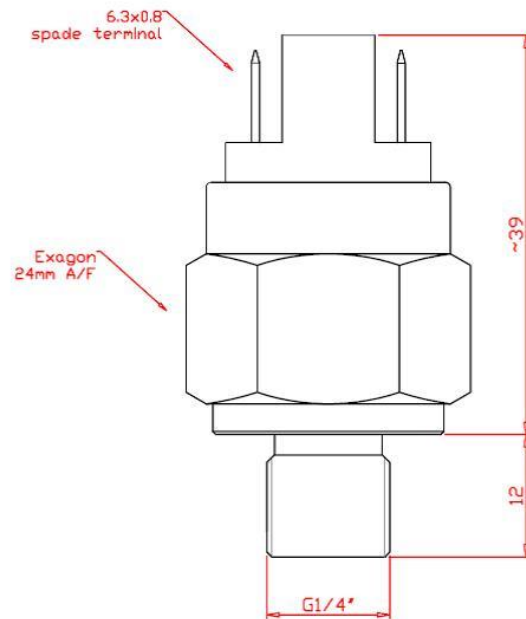
## OPTIONS

<b>Adjustment Ranges/Accuracy Measured in Bar</b>	1: 0.1~1 (± 0.1) 2: 0.15~2 (± 0.15) 10: 1~10 (± 0.2) 50: 10~50 (± 1) 150: 20~150 (± 5) 300: 30~300 (ZNHP) (±15)
<b>Thread Sizes</b>	G1/4, G1/8, G1/4T, G1/8T, 1/8 NPT, 1/4 NPT (other threads available on request)
<b>Contacts</b>	NO (normally open) or NC (normally closed)
<b>Terminals</b>	SP : Spade terminals ST : Screw terminal (other options on request)
<b>Diaphragm/Piston</b>	N : Nitrile (-15~90°C) V : Viton (-20~110°C) E : EPDM (-15~80°C) H : HNBR (-40~140°C) (Other options available on request)
<b>Body Material</b>	Blank : Brass ZN : Zinc plated steel 316 : 316 grade stainless steel
<b>Options</b>	DG : Degreased for use in oxygen applications  For other options please consult Applications Engineering Ltd

## SPECIFICATIONS

<b>Working Voltage</b>	48Vdc Max
<b>Electrical Load</b>	0.5A
<b>Maximum Pressure</b>	Brass 80 Bar, ZN - 300 Bar ZNHP - 600 Bar, 316 S/S - 300 Bar
<b>Mechanical Life</b>	10 <sup>6</sup> Operations
<b>Electrical Protection</b>	IP54, Terminals IP00
<b>Contact material</b>	Silver
<b>Contact Holder Material</b>	Nylon 6/6 fv.30

## DIMENSIONS



## PARTS MATRIX

MPA/MPS	50	G1/4	NO	SP	V	316	-
---------	----	------	----	----	---	-----	---

