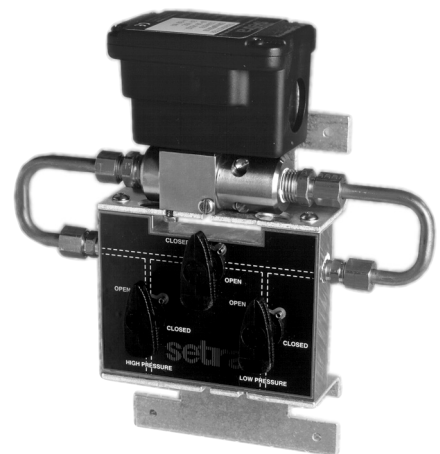


230 Series - Wet/Wet Differential Pressure Transducer

- ▶ Liquid media on both ports
- ▶ Bleed screws for accurate results
- ▶ Optional manifold for easy installation

The 230 Series is designed for wet-to-wet differential pressure measurements of liquids or gases. They feature fast-response capacitance sensors that respond approximately 20x faster than conventional fluid-filled transducers! Sensors are coupled to signal conditioned electronic circuitry for highly accurate, linear analogue output proportional to pressure. Both unidirectional and bidirectional models are available for line pressures up to 250psi. These units feature bleed ports that allow for total elimination of air in the line and pressure cavities.



Gems optional 3-valve manifold assembly eases installation and maintenance

Common Specifications

Input	
Pressure Range	1 to 100psid
Proof Pressure	see ordering chart
Burst Pressure	see ordering chart
Common Line Pressure	<250psia
Fatigue Life	>1 Million Cycles
Performance	
Supply Voltage (Vs)	9-30Vdc (13-30Vdc for 10Vdc output)
Long Term Drift	0.5% FS/year
Accuracy	0.25% FS
Thermal Error Zero	.02% FS/°F (.036% FS/°C)
Thermal Error Span	.02% FS/°F (.036% FS/°C)
Compensated Temperatures	-1°C to +65°C (30° to 150°F)
Operating Temperatures	-18°C to +80°C (0° to 175°F)
Storage Temperatures	-54°C to +121°C (-65° to +250°F)
Zero Tolerance	.5% FS
Span Tolerance	.5% FS
Mechanical Configuration	
Pressure Port	see ordering chart
Wetted Parts	17-4 PH Stainless Steel, 300 Series SS, Viton and Silicone
Electrical Connection	7/8" Knock Out for 1/2" Conduit, Screw Terminal Strip
Enclosure	Stainless Steel, Aluminum
Vibration	5g Peak Sinusoidal, 5 to 500 Hz
Acceleration	10g
Shock	50g
Approvals	CE
Weight	450gms

Individual Specifications

Voltage Output Units	
Output	0-5Vdc or 0-10Vdc (3 wire)
Min. Load Resistance	5000K ohms
Current Output Units	
Output	4-20mA (2 wire)
Max. Loop Resistance	(Vs-9) x 50 ohms

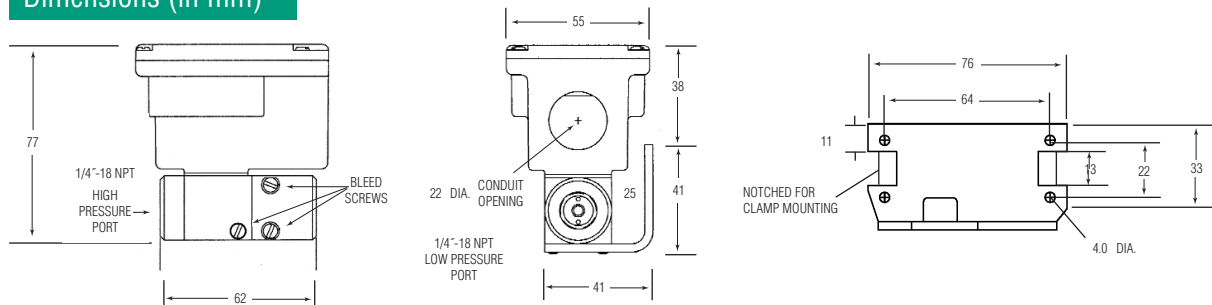
Applications

- ▶ Energy Management Systems
- ▶ Process Control Systems
- ▶ Liquid & Gas Flow Measurement
- ▶ Filter Monitoring
- ▶ Liquid Level Measurement

How They Operate

A unique isolation system transmits the motion of the differential pressure sensing diaphragm from the high line pressure environment to the dry enclosure where it moves one of a pair of capacitance plates proportionally to the diaphragm movement. Electronic circuitry linearises output vs. pressure and compensates for thermal effects of the sensor.

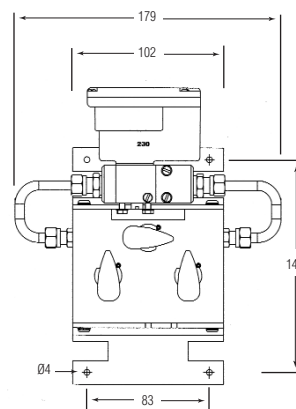
Dimensions (in mm)



3-Valve Manifold

Gems optional 3-valve manifold assembly eases installation and maintenance. Machined of Brass, it eliminates internal pipe connections and the associated chance of internal leaks. When manifold and 230 Series transducer are ordered together, they are assembled at the factory and shipped ready for mounting. Specify the **3V** Pressure Port code when ordering.

Wetted Parts	360 Brass, Copper 122, Acetal plug valves, and Nitrile O-rings
Valve Type	90-degree on/off
Process Connections	1/4" NPTF
Dimensions	7.05" x 6.25" x 2.16" D
Weight	2.5 lbs



How to Order

Use the **bold** characters from the chart below to construct a product code

SELECT **2301** **025PD** **2F** **11** **B** **X**

Series _____
2301 - 230 Series

Pressure Range Code _____

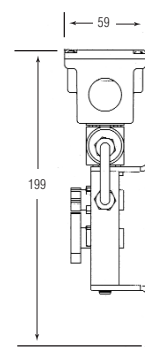
	Proof Pressure - psi			Proof Pressure - psi		
	High Side	Low Side	Burst	High Side	Low Side	Burst
Unidirectional				Bidirectional		
psid Ranges				psid Ranges		
001PD -0-1	20	2.5	200	0R5PB -±0.5	20	1.25 200
002PD -0-2	40	5.0	200	001PB -±1	40	2.50 200
005PD -0-5	100	12.5	600	2R5PB -±2.5	100	6.25 600
010PD -0-10	100	52.5	1000	005PB -±5	100	12.50 1000
025PD -0-25	250	62.5	1000	010PB -±10	200	25.00 1000
030PD -0-30	250	62.5	1000	025PB -±25	250	62.50 1000
050PD -0-50	250	125.0	1000	050PB -±50	250	125.00 1000
100PD -0-100	250	250.0	1000			

Pressure Port _____
2F - 1/4" NPTF
3V - 3-Valve Manifold Assembly Installed

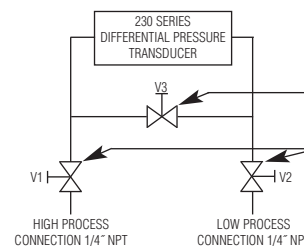
Output _____
11 - 4-20mA
2D - 0-5Vdc
2E - 0-10Vdc

Bleed Screw Seals _____
B - Viton/Silicon Standard
A - Buna-N Optional

Optional _____
C - Calibration Certificate



Valve Schematic



*Indicators and Accessories
Pages 64-69*