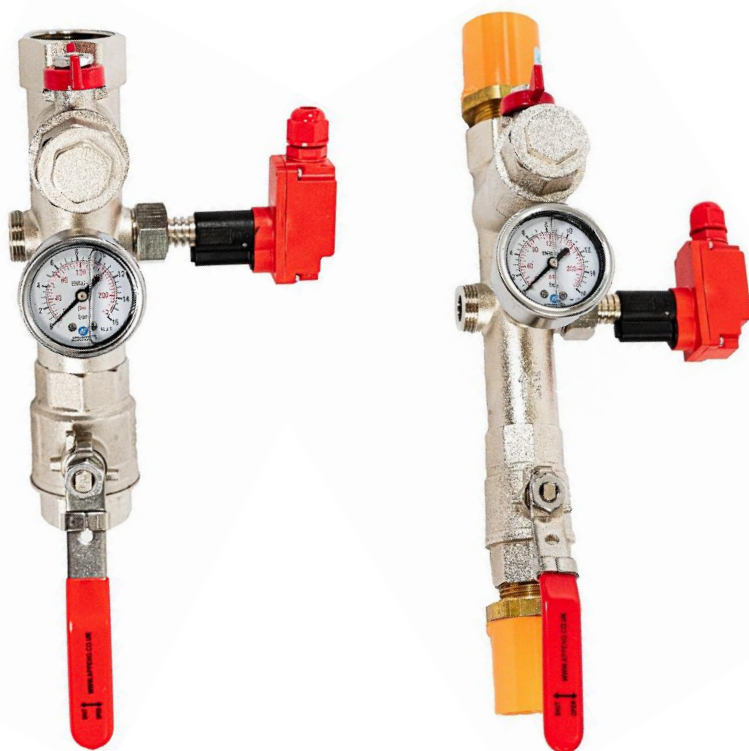


T: +44 (0)1825 764737
F: +44 (0)1825 768330
E: info@appeng.co.uk
www.appeng.co.uk



APPLICATIONS
ENGINEERING LTD

DUAL PORT FIRE SPRINKLER VALVE SET



Now
Available
with
Monitored
Ball Valve

Applications Engineering Dual port fire sprinkler valve set has been specifically designed for the residential & Domestic market, using our own flow switch that has been specifically designed for the valve set to activate at 25 l/min. A monitored Ball valve can be retro fitted and using our unique design also gives the option to monitor to the flow switch

Features

- Dual ports that enable the flow switch to be mounted on either side.
- Uses AEL flow switch which has been designed specifically for the valve set to operate at 25 L/min
- The flow switch has a 3/4" union nut for simple, hand tight, installation. No need for tools or awkward 360° rotation of the whole switch.
- 100% pressure tested.
- Supplied with easy to wire Cable gland as standard
- Lockable inlet valve handle
- 1" full bore test valve
- Space saving butterfly handle fitted to drain valve, free of charge butterfly handle tool available on request for easy opening
- Glycerine filled 16 bar pressure gauge
- No loss connector fitted to pressure gauge allows replacement without draining the system
- Easy access for servicing
- Space saving - 238mm end to end
- Less joints minimise risk of leaks
- Different flow switch options available



We also supply a full range of WRAS approved check valves, CPVC and MDPE adaptors along with many other extras

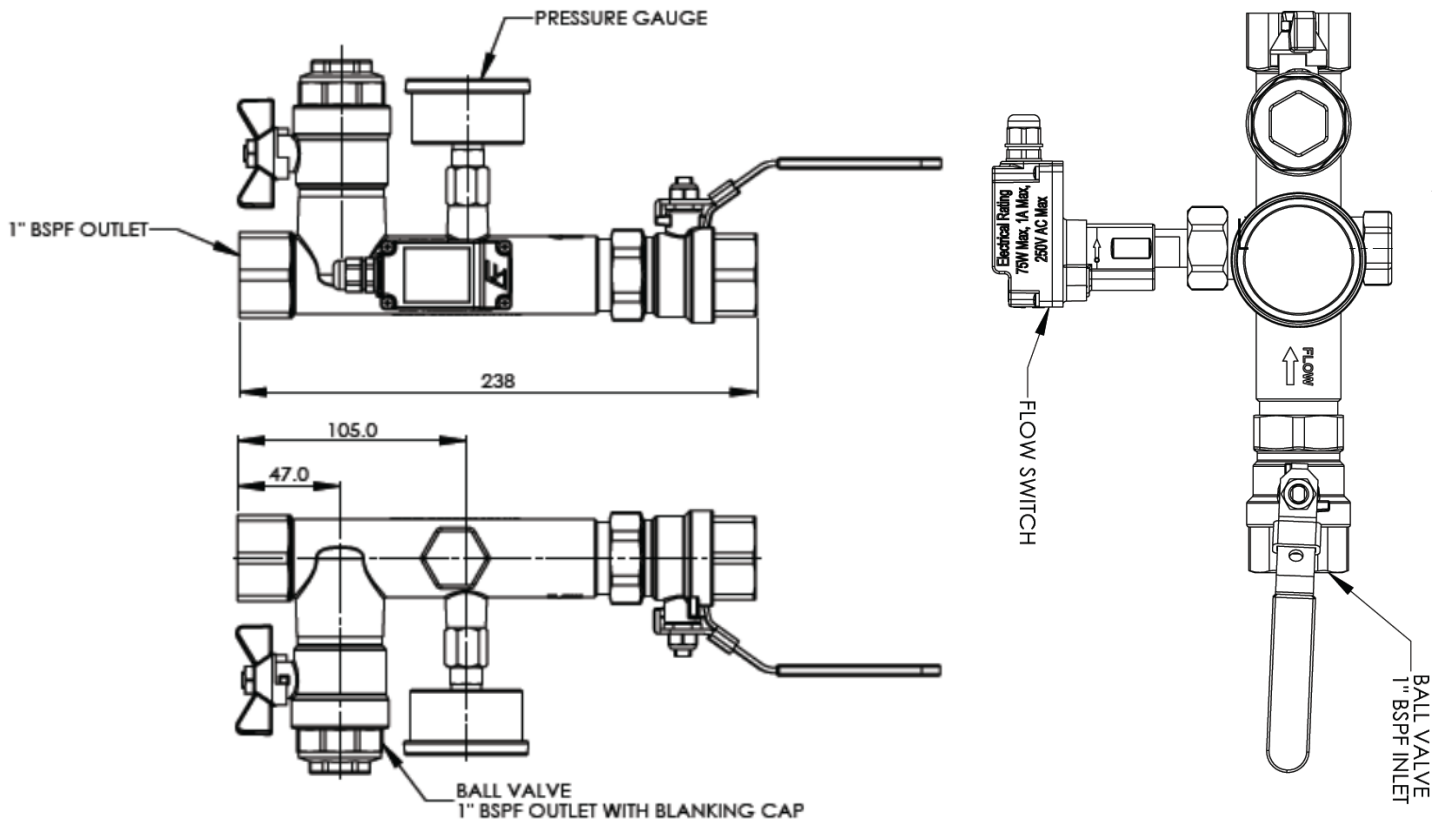
Applications Engineering Ltd, Liberty House, Unit 9C Michael Way, Ashdown Business Park, Maresfield, East Sussex,
TN22 2DU, UK

REGISTERED IN THE UK, COMPANY NO. 01754698 (ENGLAND) - VAT NO. GB 207 6966 82

T: +44 (0)1825 764737
 F: +44 (0)1825 768330
 E: info@appeng.co.uk
 www.appeng.co.uk



APPLICATIONS
 ENGINEERING LTD



Order Number	Description
AE VS1-A	DN25 (1") Dual Port Residential Valve set kit
AE VS2-A	DN32 (1 1/4") Dual Port Residential Valve set kit
AE VS1-A-BB	DN25 (1") Dual Port Residential Valve set kit with CPVC on inlet and outlet
AE VS2-A-BB	DN32 (1 1/4") Dual Port Residential Valve set kit with CPVC on inlet and outlet
AE VS1-A-C	DN25 (1") Dual Port Residential Valve set kit with Single Check Valve
AE VS2-A-C	DN32 (1 1/4") Dual Port Residential Valve set kit with Single Check Valve

*Many more options available, just ask a member of the team for details

Technical Data	
Pressure Rating	PN10 (PN25 option)
Medium Temperature	100°C Max
Ambient Temperature	80°C Max
Flow Switch Protection Class	IP64
Switching Current	Max 1 A
Switching voltage	Max 250 VAC
Switching Capacity	Max 70 W

