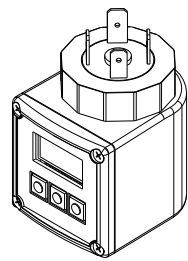
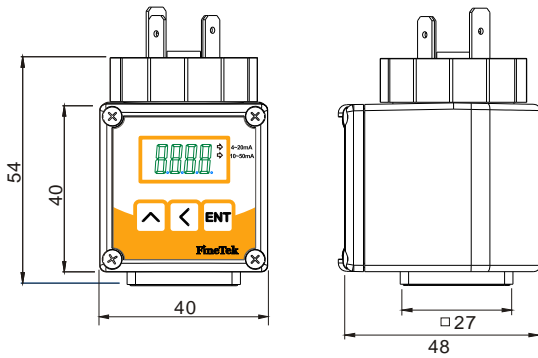


FineTek LOOP POWER INDICATOR OPERATION MANUAL



Thank you for purchasing Fine-Tek product. Please read the user's manual first and be familiar with product performance and each function before using. Please keep the user's manual as reference in future.



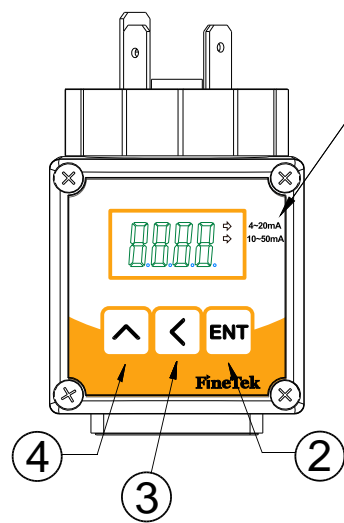
FEATURES

1. Current Loop Powered, no Extra Power necessary
2. A Universal Display Unit For all 4-20 mA Transmission circuits
3. Works with Standard DIN 43650 Plug
4. 4 Digit LCD Display, Free Scaling of Display Value
5. 3-buttons operation
6. 4-20mA, 10-50mA Ranges

SPECIFICATIONS

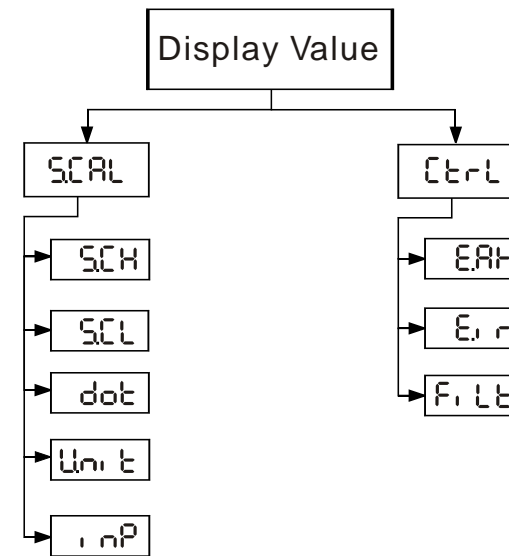
Power Input	4-20mA, 10-50mA (Loop powered)
Voltage drop	<2.55V (20mA) <2.65V (50mA)
Display	4- digit LCD (9999 ~ -1999)
Control Interface	3 buttons
Accuracy	0.1% F.S. ±1digit (25°C)
Error Message	Hi : over range Lo : under range
Temperature coefficient	50ppm F.S./°C
Operation temperature	0-60°C
Ambient temperature	0-60°C
Storage temperature	-20-70°C
Protection	IP65

FRONT PANEL



1. Indicator for input range.
2. "Enter": confirmation.
3. "Shift": position shift.
4. "Up": increment and mode change.

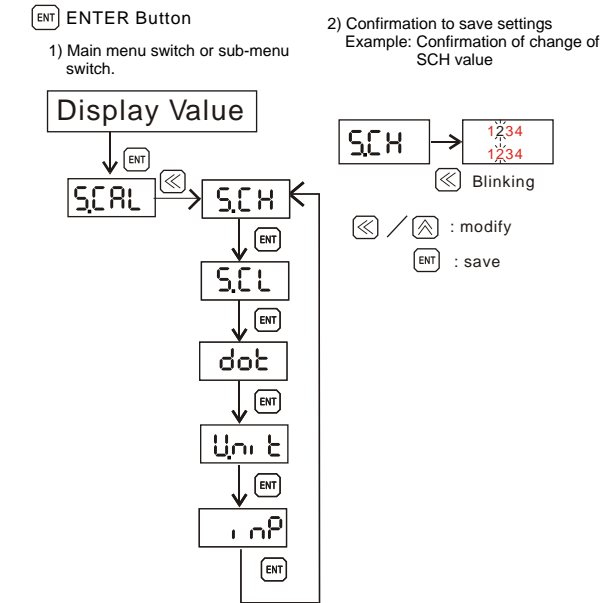
PROGRAM SETTING FLOWCHART



Control Panel

The settings on the panel meter is controlled by the three buttons on the panel, (UP, SHIFT and ENTER). First choose the function, then input required value with the three buttons. While in "Selection" and "Settings" the three buttons function are:

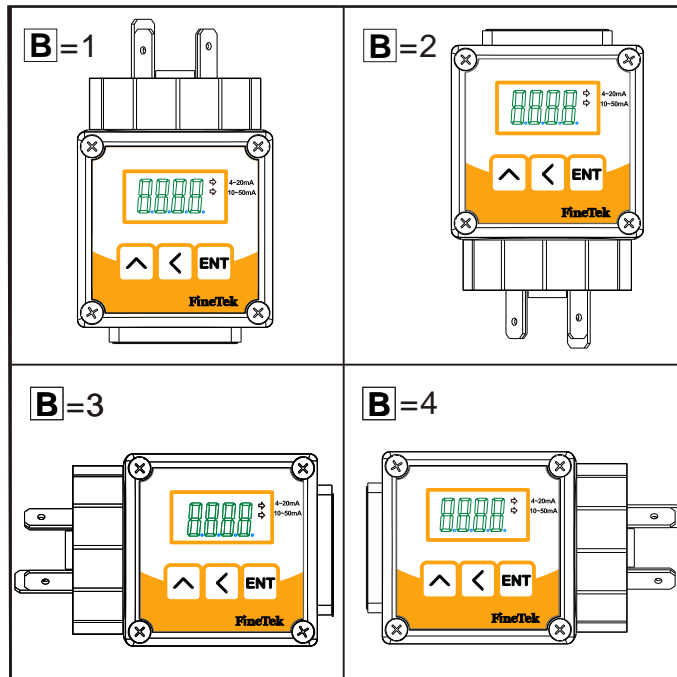
	Selection	Settings
UP	Exit	Increment
SHIFT	Enter	Position Shift
ENTER	Switch	Confirmation



ORDERING INFORMATION

LR-10 **A** **B**

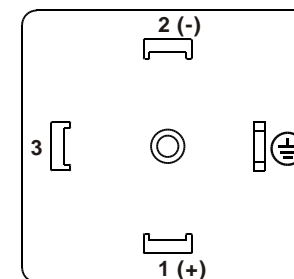
- A** : Connection Type
1: DIN 34650
- B** : LCD Direction



FUNCTION LIST

Main Item	Sub Item	Data Range	Default Value	Description
SCAL	SCH	-1999-9999	100.0	20mA(or 50mA)Corresponding display value
	SCL	-1999-9999	0	4mA(or 10mA)Corresponding display value
	dot	DOT0-3	DOT1	Decimal point set
	Unit	°C/°F/ -	-	Display units for °C or °F. Preset unit is none.
	inp	4-20/10.50	4-20	Input range adjustment
Ctrl	ERR	(MAX) REST/BACK/SAVE	REST	Recording for maximum, minimum value during operation. REST: Clean Value BACK: Go back to Sub Item SAVE: Save Value
	E.n	(MIN) REST/BACK/SAVE	REST	
F.Lt	Lo, MID, HI	LO		Software filter

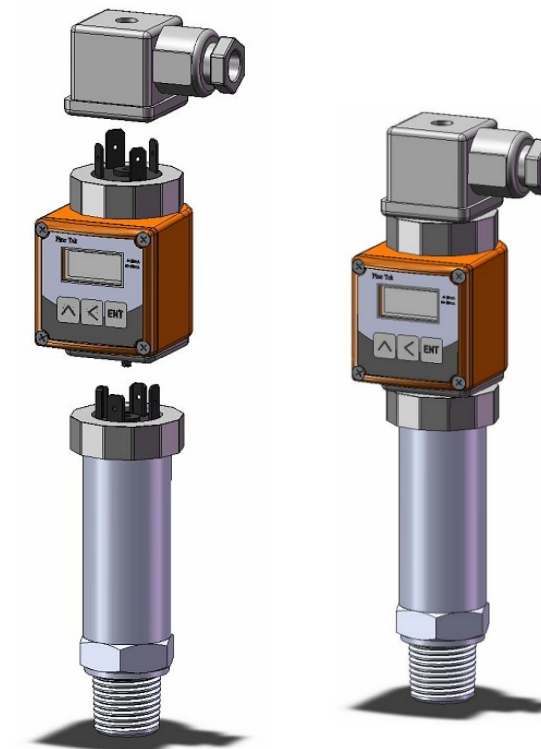
ELECTRICAL CONNECTION



1. Vs+
2. Vs-
3. X

APPLICATION EXAMPLE

LR-1011 works with pressure transmitter.



APPLICATIONS ENGINEERING LTD

Warning!

1. Make sure the screw terminal end locked well. If the screws drop out, it could cause fire or mechanical breakdown.
2. Don't use this product in explosive or flammable gas environment; it may be a risk of explosion.
3. Don't disassemble, repair or modify the product without authorization, this may cause short circuit, fire or malfunction.
4. Avoid dropping metal fragment or lead wire scraps inside the product, this may cause short circuit, fire or malfunction.