

5000 Series Low Range Pressure Transducer

- ▶ Submersible and General Purpose Models
- ▶ Open Faced for Viscous Liquids
- ▶ High Proof Pressures

The 5000 Series features a sturdy ceramic diaphragm and precision capacitance technology to detect minute pressure variations, while withstanding large pressure spikes. The tough ceramic sensor is housed in a stainless steel case to ensure performance in the most demanding applications. Both voltage and 4-20mA outputs are available at time of order. A switch and potentiometer can be accessed for field adjustment of range with 3:1 ranging capability.

Specifications

Input

| | |
|-----------------------|---|
| Pressure Range | 0 to 25mb to 0 to 1 bar |
| Proof Pressure | 2 bar for ranges 200mb and below 4 bar for ranges 201mb to 350mb 7 bar ranges 351mb to 1 bar |
| Burst Pressure | 3 bar for 70mb and below 4 bar for 71mb to 200mb 6 bar for 201mb to 350mb 10 bar for bar ranges 351mb to 1 bar |
| Fatigue Life | 10 million FS cycles |

Performance

| | |
|-----------------------------------|--|
| Long Term Stability | .25% span/annum |
| Accuracy | .2% span max |
| Thermal Error | 2% span max |
| Compensated Temperatures | -20°C to 60°C (-5° to 140°F) |
| Operating Temperatures | -25°C to +85°C (-15° to 185°F) Electrical Code G and L -20°C to +50°C (-5° to 120°F) Electrical Code M and 3 -40°C to +100°C (-40° to 212°F) Process media |
| Zero Tolerance | 0.1% span |
| Span Tolerance | 0.1% span |
| Mounting Effects | .25% span max |
| Response Time | 5ms |
| Supply Voltage Sensitivity | .01% span/volt |
| Zero Adjustment | ±10% (by potentiometer) |
| Span Adjustment | ±10% (by potentiometer) |

Mechanical Configuration

| | |
|------------------------------|--|
| Pressure Port | (See ordering guide) |
| *Wetted Parts | S/S to UNS 31803; Inconel 625, Ceramic & Nitrile |
| Electrical Connection | (See ordering guide) |
| Enclosure | Code M IP68 Submersible Code G IP65 |
| Approvals | CE, Lloyds Register Exll 1G, EEx ia IIB T4 (-20<Ta<+75°C) |
| Weight | 330gms (excluding cable) |

Individual Specifications

Voltage Output units

| | |
|----------------------------|----------------------|
| Output | (See ordering guide) |
| Supply Voltage (Vs) | 8 to 35V Max |

Current Output Unit

| | |
|-----------------------------|------------------|
| Output | 4-20 mA (2 wire) |
| Supply Voltage (Vs) | 9 to 35 Vdc |
| Max. Loop Resistance | (Vs-9) x 50 ohms |

* A version with PVDF, Ceramic and Nitrile wetted parts is available.

ORDER CODE 5500 X G XXX M 3 XXX A

see output, range and cable length options, in How to Order Section.



Lloyds Register



How to Order

Use the **Bold** characters from the chart below to construct a product code

SELECT

Series **5000**

Output

B - 4-20mA **C** - 1-6Vdc **F** - 0.1-5.1Vdc
H - 1-5Vdc **J** - 0.5-5.5Vdc **R** - 0-5Vdc

Pressure Datum

G - gauge

Pressure range code*

M70 - 25 to 70mb
N20 - 71mb to 200mb
N35 - 201mb to 350mb
A10 - 351mb to 1 bar

* specify range setting required at time of order
eg. 0 to 75mb, 0 to 1mwcg etc

5000 **B** **G** **N20** **BK** **M** **3** **001** **A**

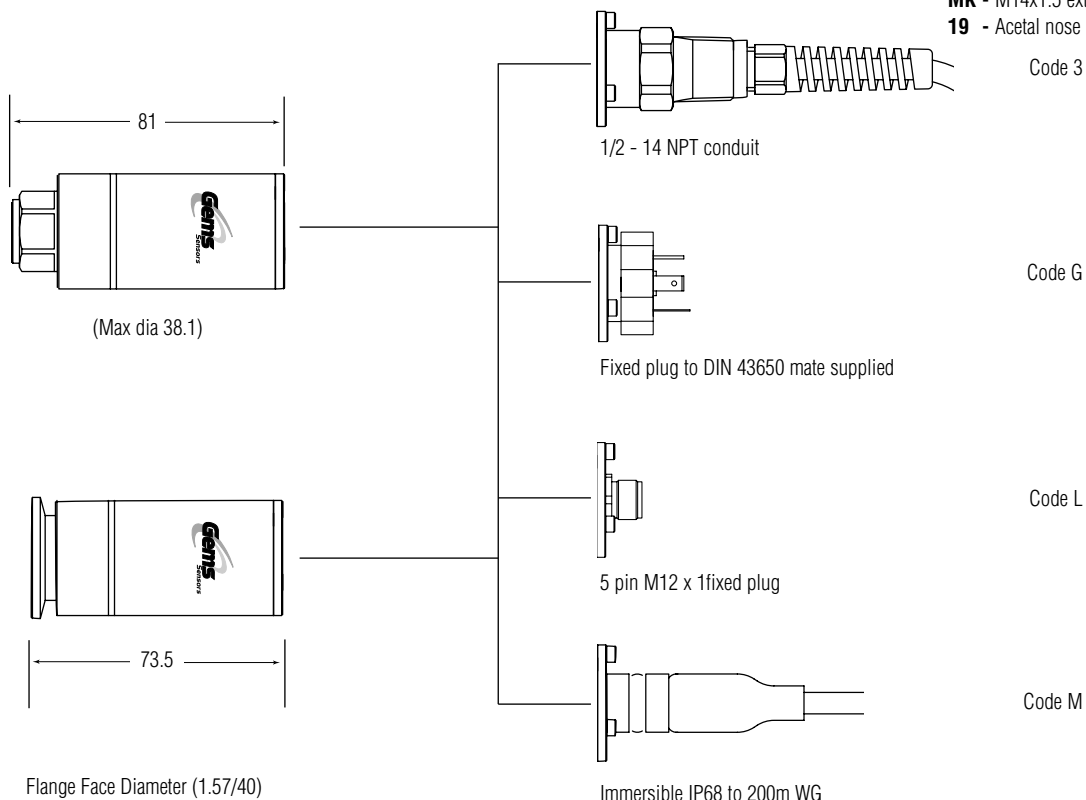
Static/Thermal Error Band
A - 0.25%/2%

Cable Length
000 - No Cable
001 - 1 metre
999 - 999 metres etc

Approvals
3 - CE Marked
G - ATEX approved Ex11 1G
EEEx ia IIB T4 (-20< Ta <+75°)

Electrical Connection
3 - 1/2 - 14 NPT conduit
G - Fixed Plug to DIN 43650,
Mating Connector Supplied
L - M12 x 1 (5 pin)
M - Immersible Cable Assembly, IP68

Pressure Connection
00 - G1/4 Internal
0F - KF25 Flange
AK - G 1/4 external
BK - 1/4 - 18NPT external
KK - 7/16 - 20unf - 3A external
MK - M14x1.5 external
19 - Acetal nose cone



| Electrical Connection | Wiring mA | | | Wiring Voltage | | | |
|-----------------------|-----------|------|-------|----------------|-------|--------|-------|
| | + | - | EARTH | +IN | OV | +OP | EARTH |
| G DIN | PIN 1 | 2 | 4 | 1 | 2 | 3 | 4 |
| M IP68 CABLE | RED | BLUE | DRAIN | RED | WHITE | YELLOW | DRAIN |
| 3 CONDUIT | RED | BLUE | DRAIN | RED | WHITE | YELLOW | DRAIN |