

FLOW
SWITCHES

FS-200E 2.0 - 30 (l/min) with pre-adjusted set points
FS-200E-A 3.0 - 57 (l/min) adjustable set points

SHUTTLE TYPE

The FS-200E flow switch offers accurate flow detection with 1% repeatability and European G1" port size. The durable construction delivers long life repeatability in either water or oil. The design of large flow paths keep pressure drop low, thus are ideal for detection of flow in high volume lubrication, cooling or process applications.

The FS-200E Adjustable versions offer the same accuracy with the additional feature of external adjustment.

Specifications

(all data related to water at +20°C)

Max. flow	85 l/min
Max. operating pressure	27 bar
Proof pressure	45 bar
Temperature range	- 20 °C to +80 °C (cable, plug connector) - 20 °C to +150 °C (terminal box)
Set points	see order number
Switching function (related to increasing flow)	SPDT
Factory calibration position	horizontal, electrical connection up
Mounting orientation	any position
Repeatability	± 1%
Adjustment accuracy	±10%
Hysteresis	max. 15%
Mounting	G1"
Electrical connections	- cable: PVC, 3 x 0.34 mm ² (length: approx. 1 m) - plug connector per DIN 43650 - terminal box
Enclosure	- IP65
Electrical data contact rating	20 VA, 0.5 A, 250 V~
Weight	approx. 1.2 kg

How to Order

Order numbers for FS-200E

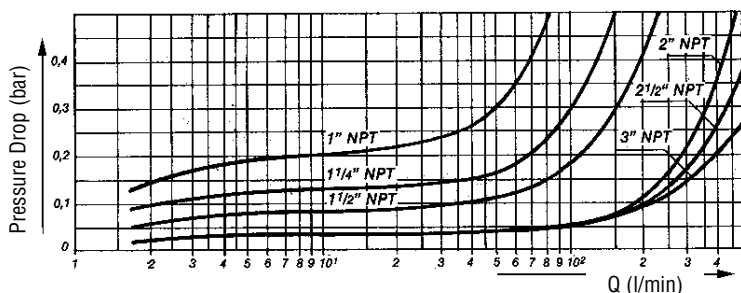
Set points (l/min)	Cable	Terminal box	Plug connector
2.0	020-2393	020-2401	020-3481
4.0	020-2394	020-2402	020-3482
7.5	020-2395	020-2403	020-3483
11.5	020-2396	020-2404	020-3484
15.0	020-2397	020-2405	020-3485
19.0	020-2398	020-2406	020-3486
22.5	020-2399	020-2407	020-3487
30.0	020-2400	020-2408	020-3488

Order numbers for FS-200E-A

Set points (l/min)	Cable	Terminal box	Plug connector
3.0 ... 22.5	020-2413	020-2416	020-3489
7.5 ... 30.0	020-2415	020-2418	020-3491
19.0 ... 57.0	020-2414	020-2417	020-3490

Pressure Drop Diagram

(at min. set point adjustment)

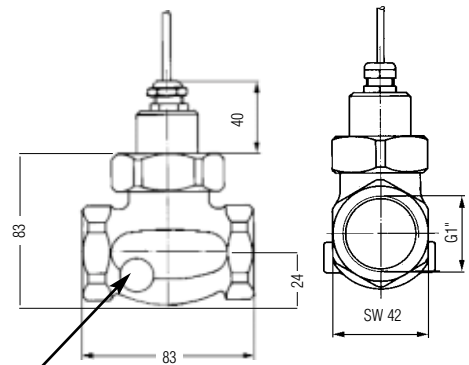


Standard Products in **bold**



Adjustment vane on FS-200E-A

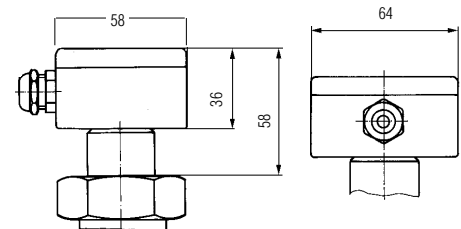
Dimensions (in mm)



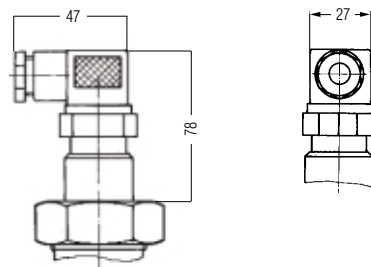
Adjustment vane on FS-200E-A

Housing: Bronze
Disc: Stainless Steel
Spring: Stainless Steel
O-Ring: Viton®
Magnet: PTFE/Ceramic

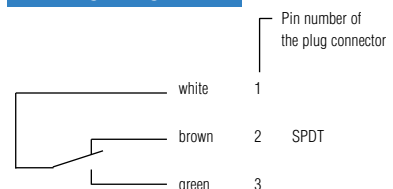
Terminal Box



Plug Connector



Wiring Diagram



FLOW SWITCHES

www.gems-sensors.co.uk