

## Unique Features Make These LS-3 Models Special

These small switches feature unique configurations for special applications.

Part No. 142545  
With Slosh Shield



Cut-away version shown

Compact, all-polypropylene switch with slosh shield is ideal for use with turbulent liquids in small tanks. FDA compliant materials.

Part No. 46999  
Bottle Level

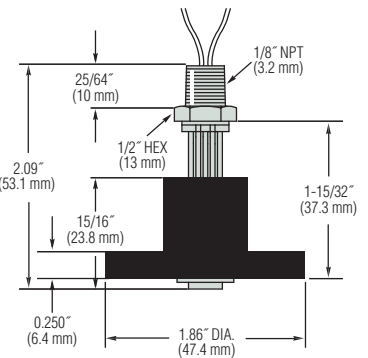
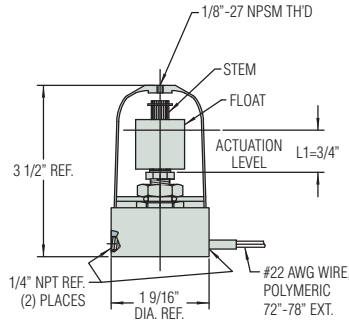
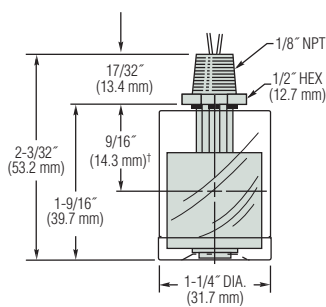


For external mounting on tanks too small to accommodate internally mounted switches. (See note below)

Part No. 76707  
For Low Level



For detecting levels as low as 5/8" from tank bottom. Use in water, some oils and chemicals.



Order By Part Number	142545 ⚡	46999 ⚡	76707 ⚡
<b>Materials</b>			
<b>Stem and Mounting</b>	All Polypropylene (Including Shield <sup>4</sup> )	Polysulfone	All Polysulfone (Including Collar)
<b>Float</b>	Polypropylene (Solid)	Polysulfone	Buna N
<b>Other Wetted</b>	—	Brass, Aluminum, Polycarbonate, Viton A	Epoxy
<b>Min. Liquid Sp. Gr.</b>	.90	.75	—
<b>Operating Temperature</b>	-40°F to +150°F (-40°C to +65.6°C)	-40°F to +120°F (-40°C to +48.9°C)	-40°F to +180°F (-40°C to +82.2°C)
<b>Pressure, PSI, Max.<sup>3</sup></b>	150	50	
<b>Switch<sup>1</sup>, SPST</b>	20 VA, N.C./N.O. Dry <sup>2</sup>	20 VA, N.C. Dry	
<b>Electrical Termination</b>	No. 22 AWG, 22" L., PVC Lead Wires	No. 22 AWG, 72" L., Polymeric Lead Wires	No. 22 AWG, 72" L., PVC Lead Wires

Notes:

- See "Electrical Data" on Page X-5 for more information.
  - Switch operation is selectable, N.O. or N.C., by inverting the float on the unit stem.
  - Maximum pressure at 70°F (21°C).
  - Consult factory for other available materials.
- † L<sub>1</sub>= Switch actuation level, nominal (based on a specific gravity of 1.0).

Note: LS-3 Series Bottle Level Switch is also available with any of the float materials shown on opposite page. Contact GEMS for correct part number.

⚡ – Stock Items.