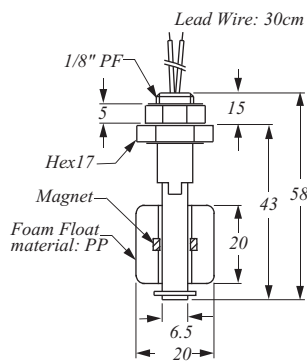


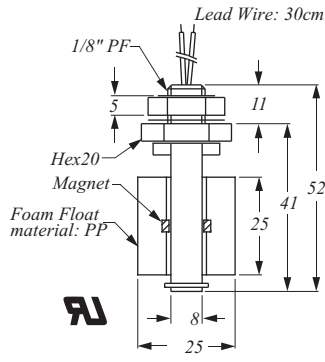
PLASTIC OV TYPES

▶ RF-OV11



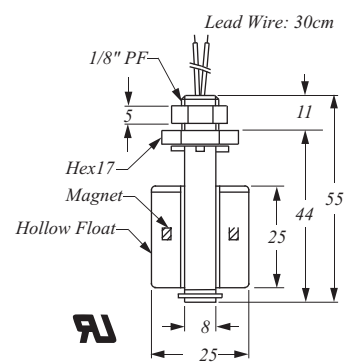
Drill hole 10mm

▶ RF-OV21



Drill hole 10mm

▶ RF-OV31, 33, 34



Drill hole 10mm

SPECIFICATIONS

Description	Type	RF-OV11F	RF-OV21D	RF-OV31D	RF-OV33D	RF-OV34D
Switching Capacity Max.		10W SPST	50W SPST	50W SPST	50W SPST	
Switching Voltage Max.		125VAC Break Down 250VAC	240VAC / 200VDC	240VAC / 200VDC		
Switching Current Max. (A)		0.5A		0.5A		
Carry Current Max. (A)		1A		1A		
Lead Wire		UL 1007 AWG22 PVC		UL 1007 AWG22 PVC	XLPE AWG22	
Reversible Switch Action		YES		YES		
Max. Pressure (Kg/cm ²)		ATM		4 kg/cm ²	2 kg/cm ²	
Operating Temperature		-20~80 C		-20~80 C	-20~120 C	-20~110 C
Material		PP		PP	PVDF	Nylon
Suitable Specific Gravity		0.8		0.7	0.85	0.8
Weight (g)		12 g	18 g	15 g		



APPLICATIONS
ENGINEERING LTD

<http://www.appeng.co.uk>
email: info@appeng.co.uk

16 HORSTED SQUARE, BELLBROOK INDUSTRIAL ESTATE,
UCKFIELD, EAST SUSSEX, TN22 1QG, UK

TEL: + 44 1825 764737
FAX: + 44 1825 768330