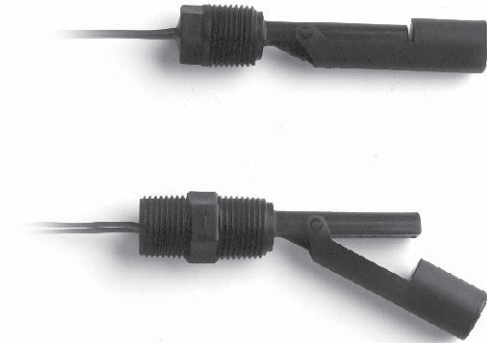
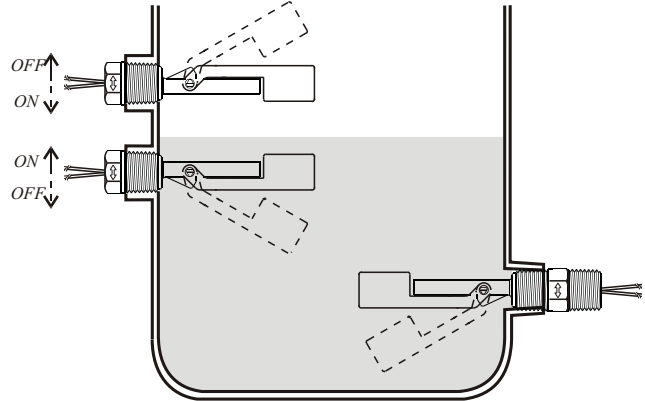


PLASTIC OH TYPES

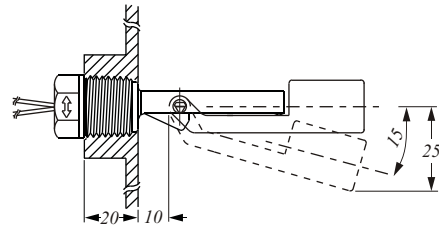
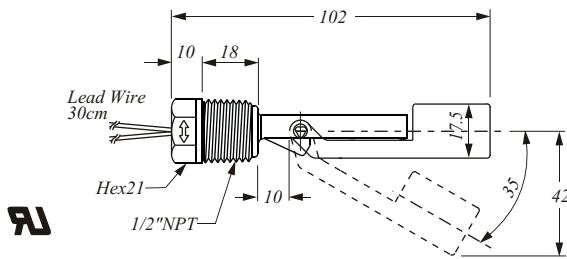
► RF OH41PD / H51PD



Installation / N.C. / N.O. Action Position

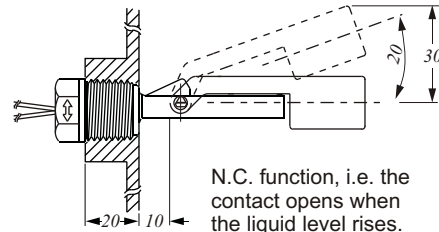
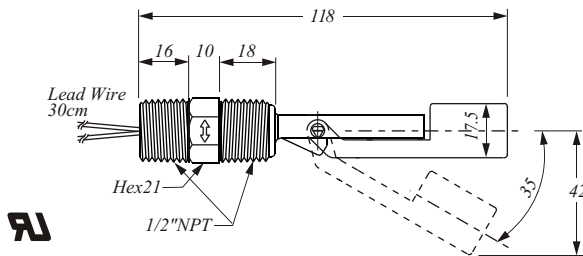


RF OH41PD



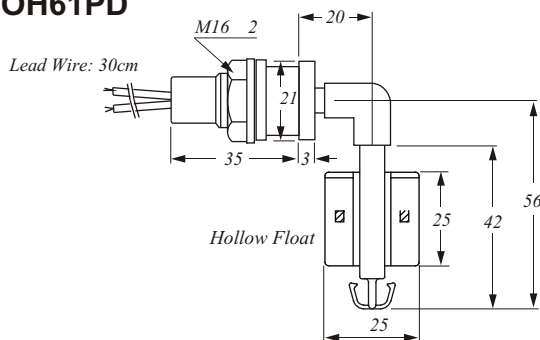
N.O. function, i.e. the contact closes when the liquid level rises.

RF OH51PD



N.C. function, i.e. the contact opens when the liquid level rises.

RF OH61PD



SPECIFICATIONS

Type	Material	Switching Capacity Max.	Switching Voltage Max.	Switching Current Max.	Carry Current Max.	Lead Wire	Max. Pressure	Operating Temp.	Suitable Sp. Gr.	Weight
RFOH41	PP	50W/SPST	240Vac	0.5A	1A	XLPE	4 kg/cm ²	-10~80 C	0.65	20g
RFOH51			200Vdc							25g
RFOH61										31g



APPLICATIONS
ENGINEERING LTD

<http://www.appeng.co.uk>
email: info@appeng.co.uk

16 HORSTED SQUARE, BELLBROOK INDUSTRIAL ESTATE,
UCKFIELD, EAST SUSSEX, TN22 1QG, UK

TEL: + 44 1825 764737
FAX: + 44 1825 768330