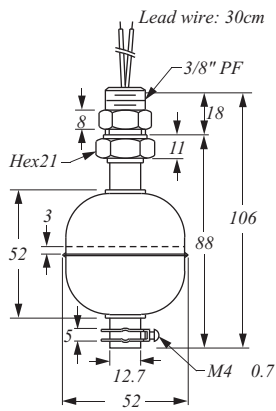


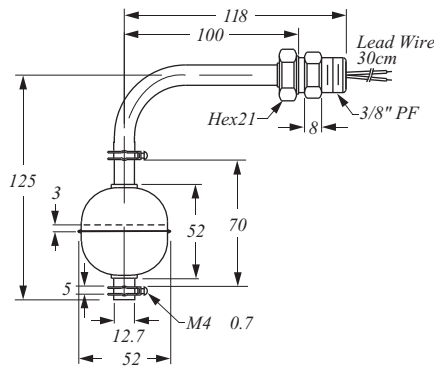
METAL TYPES

▶ RF-50 1



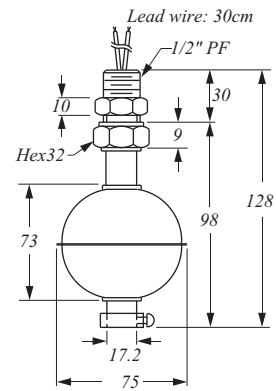
Drill hole 17mm

▶ RF-50 2



Drill hole 17mm

▶ RF-75 1



Drill hole 21mm

SPECIFICATIONS

| Description | Type | RF-30 1D | RF-40 1D | RF-45 1D | RF-50 1D | RF-75 1G | RF-10 1G |
|-------------------------------------|------|-----------------------------|----------|----------|----------|----------|----------|
| | | RF-30 2D | RF-40 2D | RF-45 2D | RF-50 2D | | |
| Switching Capacity Max. | | 50W SPST | 50W SPST | 50W SPST | 50W SPST | 60W SPDT | |
| Switching Voltage Max. | | 240VAC/200VDC | | | | 220VAC | |
| Switching Current Max. (A) | | 0.5A | 0.5A | 0.5A | 0.5A | 2A | |
| Carry Current Max. (A) | | 1A | 1A | 1A | 1A | 3A | |
| Lead Wire | | XLPE (UL3266, AWG22) | | | | | |
| Reversible Switch Action | | YES | YES | YES | YES | NO | NO |
| Max. Pressure (Kg/cm ²) | | 10 | 30 | 12 | 30 | 30 | 10 |
| Operating Temperature | | -10~120 C (OPTION 200 C) | | | | | |
| Material | | Stainless Steel SUS304, 316 | | | | | |
| Suitable Specific Gravity | | 0.8 | 0.7 | 0.65 | 0.55 | 0.55 | 0.5 |



APPLICATIONS
ENGINEERING LTD

<http://www.appeng.co.uk>
email: info@appeng.co.uk

16 HORSTED SQUARE, BELLBROOK INDUSTRIAL ESTATE,
UCKFIELD, EAST SUSSEX, TN22 1QG, UK

TEL: + 44 1825 764737
FAX: + 44 1825 768330

ORDER INFORMATION

RF- **30** **6** **2** **D** **A** **10**

Type

- 30** Float : 28x28, Screw : 1/8"PF
- 35** Float : x29, Screw : 1/8"PF
- 35** Float : 30x29, Screw : 1/8"PF
- 40** Float : 41x38, Screw : 3/8"PF
- 45** Float : 45x55, Screw : 3/8"PF
- 50** Float : 52x52, Screw : 3/8"PF
- 75** Float : 75x70, Screw : 1/2"PF
- 10** Float : 75x108, Screw : 1/2"PF


Material of Wetted parts

- 0** : SUS304
- 6** : SUS316

Mounting

- 1** : Top or Bottom Mounting
- 2** : Side Mounting

Switching Capacity Max.

- D**: 50W 200VDC/240VAC SPST 
- F**: 10W 125VAC SPST
- G**: 60W 220VAC SPDT (only use for tube 12.7)
- H**: 3W 30VAC / 60VDC SPDT (only use for tube 9.5)
- K**: 20W 150VAC/200VDC SPDT

Contact Form

- A**: Normal Open (N.O.) SPST
- B**: Normal Close (N.C.) SPST
- C**: 1AB SPDT
- D**: N.C. Reversible
- E**: N.O. Reversible

Lead wire Length (XLPE 125 C) L: Unit=10cm

- 03**: 30cm (Standard length)
- 05**: 50cm
- 15**: 150cm

