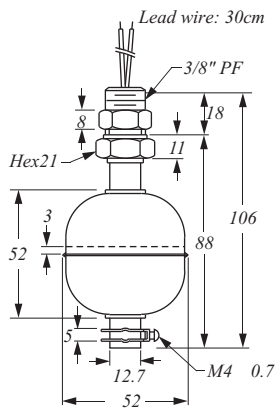


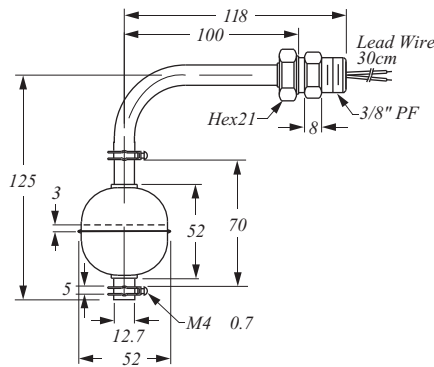
# METAL TYPES

▶ RF-50 1



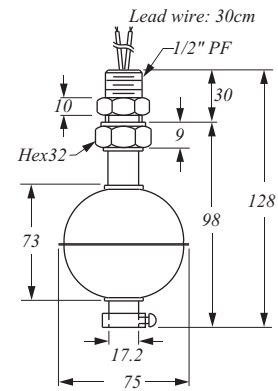
Drill hole 17mm

▶ RF-50 2



Drill hole 17mm

▶ RF-75 1



Drill hole 21mm

## SPECIFICATIONS

Description	Type	RF-30 1D	RF-40 1D	RF-45 1D	RF-50 1D	RF-75 1G	RF-10 1G
		RF-30 2D	RF-40 2D	RF-45 2D	RF-50 2D		
Switching Capacity Max.		50W SPST	50W SPST	50W SPST	50W SPST	60W SPDT	
Switching Voltage Max.		240VAC/200VDC				220VAC	
Switching Current Max. (A)		0.5A	0.5A	0.5A	0.5A	2A	
Carry Current Max. (A)		1A	1A	1A	1A	3A	
Lead Wire		XLPE (UL3266, AWG22)					
Reversible Switch Action		YES	YES	YES	YES	NO	NO
Max. Pressure (Kg/cm <sup>2</sup> )		10	30	12	30	30	10
Operating Temperature		-10~120 C (OPTION 200 C)					
Material		Stainless Steel SUS304, 316					
Suitable Specific Gravity		0.8	0.7	0.65	0.55	0.55	0.5



**APPLICATIONS**  
ENGINEERING LTD

<http://www.appeng.co.uk>  
email: [info@appeng.co.uk](mailto:info@appeng.co.uk)

16 HORSTED SQUARE, BELLBROOK INDUSTRIAL ESTATE,  
UCKFIELD, EAST SUSSEX, TN22 1QG, UK

TEL: + 44 1825 764737  
FAX: + 44 1825 768330

# ORDER INFORMATION

RF- **30** **6** **2** **D** **A** **10**

## Type

- 30** Float : 28x28, Screw : 1/8"PF
- 35** Float : x29, Screw : 1/8"PF
- 35** Float : 30x29, Screw : 1/8"PF
- 40** Float : 41x38, Screw : 3/8"PF
- 45** Float : 45x55, Screw : 3/8"PF
- 50** Float : 52x52, Screw : 3/8"PF
- 75** Float : 75x70, Screw : 1/2"PF
- 10** Float : 75x108, Screw : 1/2"PF


## Material of Wetted parts

- 0** : SUS304
- 6** : SUS316

## Mounting

- 1** : Top or Bottom Mounting
- 2** : Side Mounting

## Switching Capacity Max.

- D**: 50W 200VDC/240VAC SPST 
- F**: 10W 125VAC SPST
- G**: 60W 220VAC SPDT (only use for tude 12.7)
- H**: 3W 30VAC / 60VDC SPDT (only use for tude 9.5)
- K**: 20W 150VAC/200VDC SPDT

## Contact Form

- A**: Normal Open (N.O.) SPST
- B**: Normal Close (N.C.) SPST
- C**: 1AB SPDT
- D**: N.C. Reversible
- E**: N.O. Reversible

## Lead wire Length (XLPE 125 C) L: Unit=10cm

- 03**: 30cm (Standard length)
- 05**: 50cm
- 15**: 150cm

