

PS11 – Ultra-Long Life OEM Pressure Switches

- ▶ 0.75 to 15 psi (52 to 1034 mbar)
- ▶ 1,000,000 Cycle Life Typical
- ▶ Factory Set or Adjustable Set Points

For low pressure applications, the longevity of our PS11 Series is hard to beat. A life expectancy of 1 million cycles means long-term reliability. Their snap-action microswitch resets automatically and meets or exceeds industry standards. The brass housing offers chemical resistance at an affordable price.

Specifications

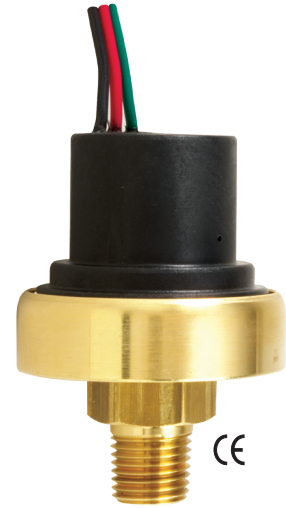
Switch*	5 Amp @ 24 VDC and 250 VAC 1.0 Amp resistive 0.5 Amp inductive @ 24 VDC (-G option)
Repeatability	See Table 1
Wetted Parts	
Diaphragm	Nitrile (optional Viton®, EPDM or Kapton®)
Fitting	Brass
Housing	Brass
O-Ring	Nitrile (optional Viton® or EPDM)
Electrical Termination**	DIN 43650A IP00; Terminals IP00; Flying Leads IP00
Proof Pressure	0 psia to 150 psi (-1 bar to 10.3 bar)
Burst Pressure	300 psi (20.7 bar)
Approvals	CE, UL Approved units available
Weight, Approximate	0.31 lbs. (0.14 kg)

* Gold contacts (option G) may be required for less than 12 VDC and 20 mA.
** Plastic housing is vented to atmosphere. Consult factory for non-vented version.

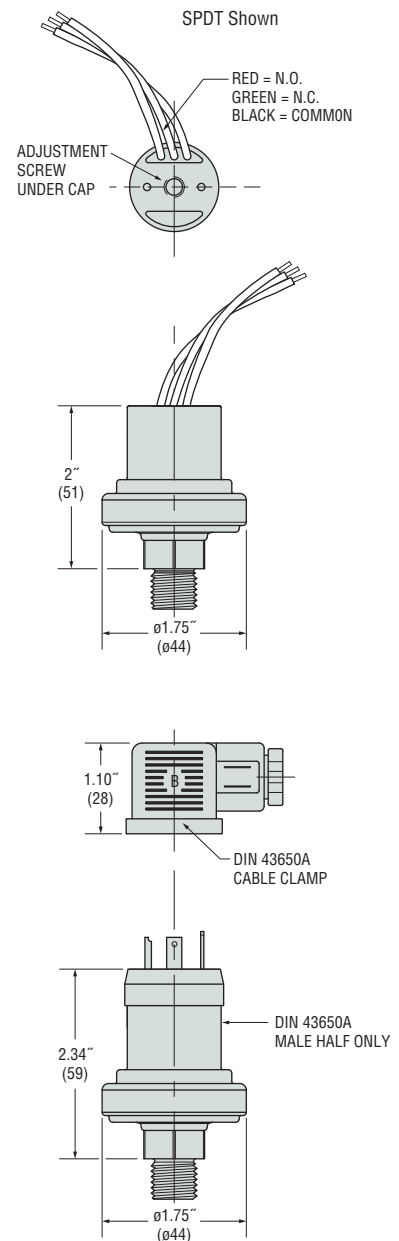
Recommended Operating Temperature Limits

Diaphragm Material	Range
Nitrile	15°F to 250°F (-9°C to +121°C)
Viton®	0°F to 250°F (-18°C to +121°C)
EPDM	-40°F to +250°F (-40°C to +121°C)
Kapton®	-40°F to +250°F (-40°C to +121°C)

Note: Switches may function below the cold temperature limit but the set point and deadband will increase. Consult factory for details.



Dimensions



**APPLICATIONS
ENGINEERING LTD**

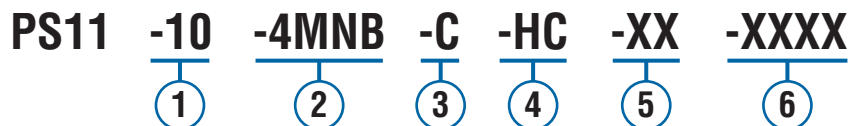
16 HORSTED SQUARE, BELLBROOK INDUSTRIAL ESTATE,
UCKFIELD, EAST SUSSEX, TN22 1QG, UK

<http://www.appeng.co.uk>
email: info@appeng.co.uk

TEL: + 44 1825 764737
FAX: + 44 1825 768330

How To Order

Use the **Bold** characters from the chart below to construct a product code. Please reference Notes.



① Pressure Range Code

Insert Pressure Range Code from Table 1, below.

② Pressure Fitting¹

- 2MNB = 1/8" NPTM Brass
- 4MNB = 1/4" NPTM Brass
- 2FNB = 1/8" NPTF Brass
- 4MGB = 1/4" BSPM Brass (G type)
- 4MSB = 7/16"-20 SAE Male, Brass
- 6MSB = 9/16"-18 SAE Male, Brass

③ Circuit

- A = SPST/N.O.
- B = SPST/N.C.
- C = SPDT

④ Electrical Termination²

- FLXX = Flying Leads³
- ELXX = 1/2" Male NPT Conduit w/Flying Leads³
- H = DIN 43650A Male Half Only
- HC = DIN 43650A 9mm Cable Clamp
- HN = DIN 43650A 1/2" NPT Female Conduit

⑤ Options

- V = Viton® Diaphragm
- E = EPDM Diaphragm
- K = Kapton® Diaphragm
- IP = Ingress Protection⁴
- G = Gold Contacts
(for loads less than 12 mA @ 12 VDC)
- OXY = Oxygen Cleaned
- WF = Weather Pack Connector, Female
- WM = Weather Pack Connector, Male
- DE = Deutsch Connector, Male, DT04 Series

⑥ Fixed Set Point (optional)

- A. Specify set point -FS (in PSI or mBAR, see example)⁵
 - B. Set Point Actuation
 - R on Rising Pressure
 - F on Falling Pressure
- Example: -FS200MBARF for 200 mBAR Falling
 or -FS3PSIR for 3 PSI Rising

Notes:

1. Other fittings available. Consult factory.
2. DIN units are available with -C SPDT circuit only.
3. 18" is standard. Specify lead length in inches (max. 48"). e.g. -FL18 or -EL30.
4. Ingress Protection requires Fixed Set Point -FS.
5. Set Point must be within Pressure Range selected in Step 1.

Table 1 — Pressure Range Codes

Pressure Range Code	Pressure Range	Repeatability*	Average Deadband**
10	0.75-4 psig (51-276 mbar)	±0.15 psi (10 mbar) +4% of setting	0.2 psi (14 mbar) +9% of setting
20	3.5-15 psig (241-1034 mbar)	±0.25 psi (17 mbar) +5% of setting	0.4 psig (26 mbar) +11% of setting

* Repeatability and set point of units may change due to the effects of temperature.

** In certain applications deadband can be tailored and controlled to customer specifications. Consult factory for details.



APPLICATIONS
ENGINEERING LTD

16 HORSTED SQUARE, BELLBROOK INDUSTRIAL ESTATE,
UCKFIELD, EAST SUSSEX, TN22 1QG, UK

<http://www.appeng.co.uk>
email: info@appeng.co.uk

TEL: + 44 1825 764737
FAX: + 44 1825 768330