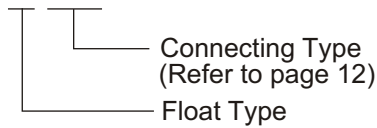
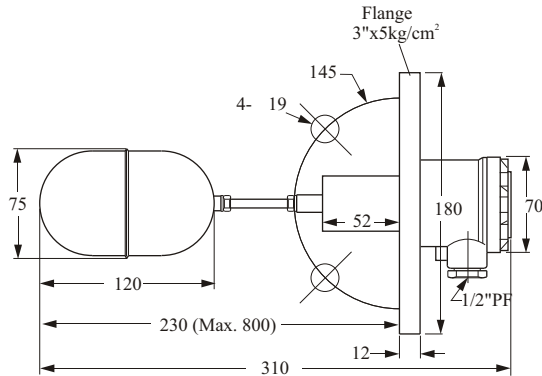


# MARINE

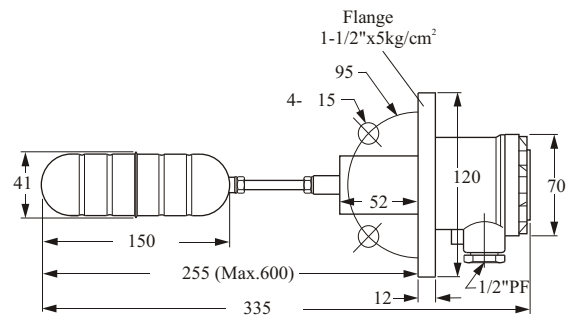
Order No. F F10



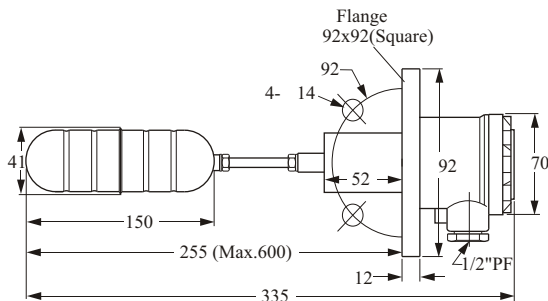
▶ Order No. FF10BHM  
Model No. LF10BHM



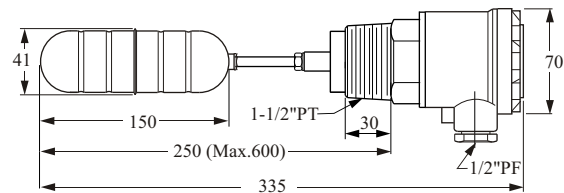
▶ Order No. FF10CEM  
Model No. LF10CEM



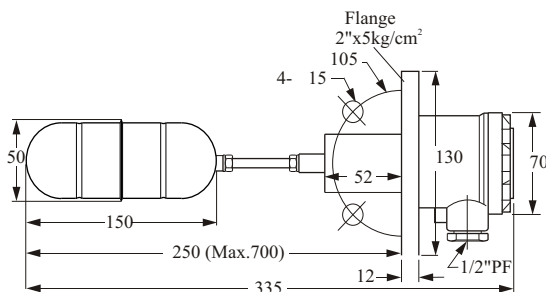
▶ Order No. FF10CLO  
Model No. LF10CLO



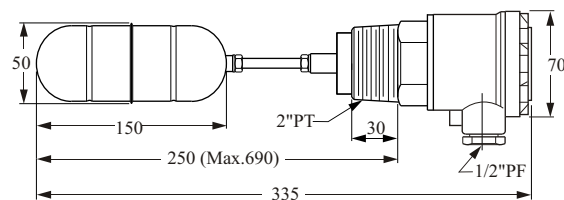
▶ Order No. FF10CEQ  
Model No. LF10CEQ



▶ Order No. FF10DFM  
Model No. LF10DFM



▶ Order No. FF10DFQ  
Model No. LF10DFQ



APPLICATIONS  
ENGINEERING LTD

<http://www.appeng.co.uk>  
email: [info@appeng.co.uk](mailto:info@appeng.co.uk)

16 HORSTED SQUARE, BELLBROOK INDUSTRIAL ESTATE,  
UCKFIELD, EAST SUSSEX, TN22 1QG, UK

TEL: + 44 1825 764737  
FAX: + 44 1825 768330

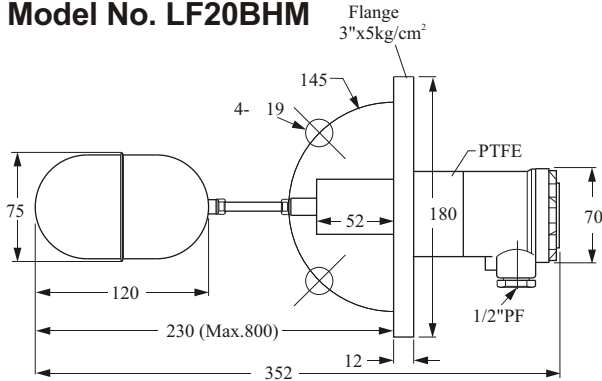
# HIGH TEMP.

Order No. FF20

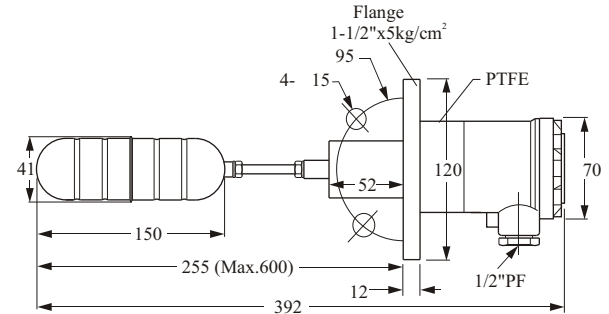
Connecting Type  
(Refer to page 12)  
Float Type



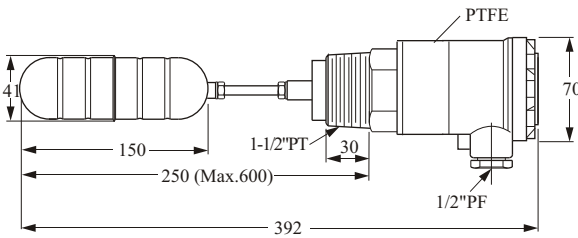
Order No. FF20BHM  
Model No. LF20BHM



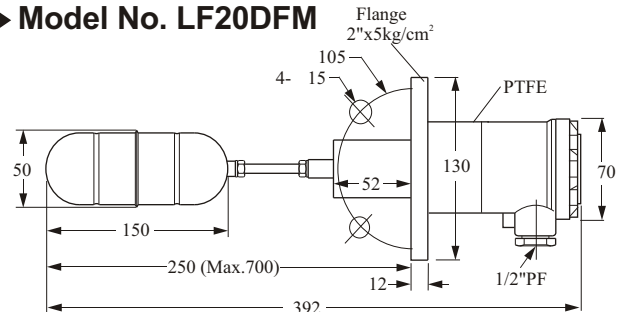
Order No. FF20CEM  
Model No. LF20CEM



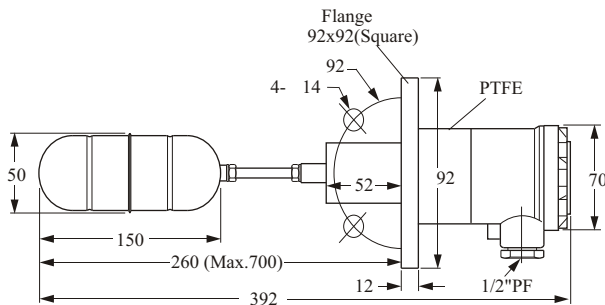
Order No. FF20CEQ  
Model No. LF20CEQ



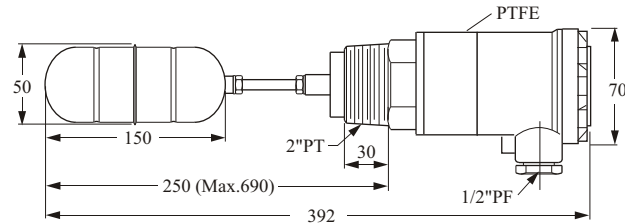
Order No. FF20DFM  
Model No. LF20DFM



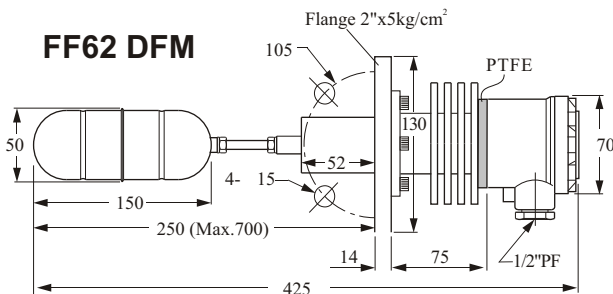
Order No. FF20DLO  
Model No. LF120DLO



Order No. FF20DFQ  
Model No. LF20DFQ



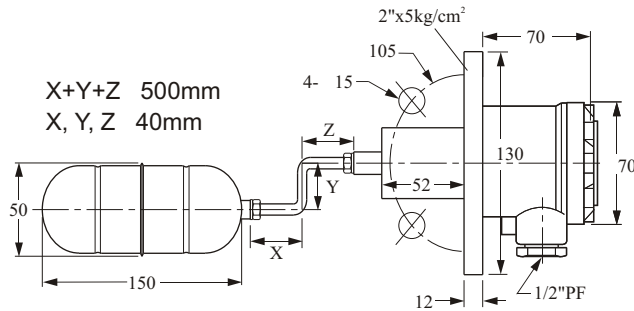
Order No. FF62DFM  
Model No. LF62DFM



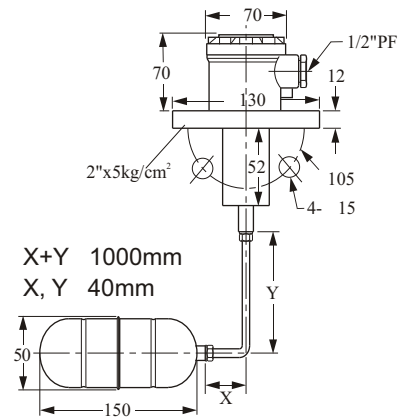
**Order No. F F**

- Connecting Type (Refer to page 12)
- Float Type
- 40: Double Angle Standard
- 45: Double Angle High Temp.
- 50: Vertical Standard
- 55: Vertical High Temp.

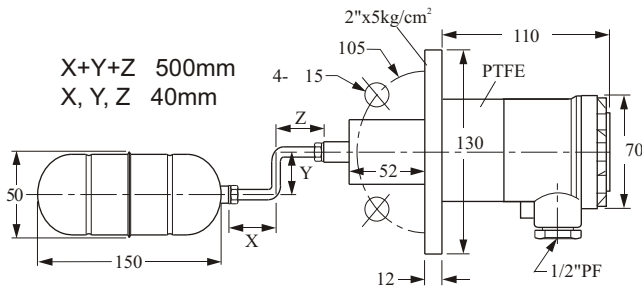
**Order No. FF40DFM**  
**Model No. LF40DFM**



**Order No. FF50DFM**  
**Model No. LF50DFM**



**Order No. FF45DFM**  
**Model No. LF45DFM**



**Order No. FF55DFM**  
**Model No. LF55DFM**

