

ELS-1150 Series Features Best Performance-to-Size Ratio

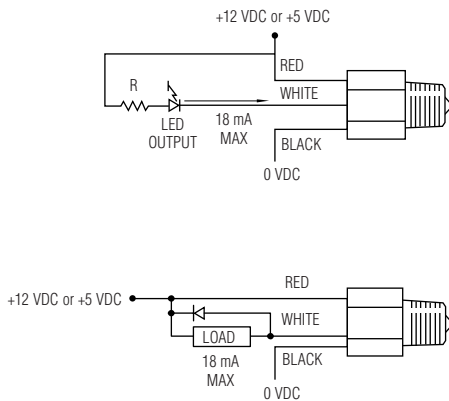
The ELS-1150 electro-optic level switches maintain the top-performing environmental capabilities of their larger family members while featuring an overall size that is 50% smaller. At just 1.38" long, the nickel-plated carbon steel ELS-1150 represents the smallest electro-optic level sensor in its performance class, and by far the most economical. ELS-1150 switches utilise a strong, glass prism fused to a carbon steel housing to easily monitor vessels pressurized up to 172 bar. Their compact package size makes them the ideal candidate for monitoring the small, pressurized vessels found in HVAC, refrigeration and hydraulic applications. They are most commonly used for low, high and intermediate level detection.

Specifications

Mounting	1/2" NPT
Materials	
Housing	Nickel-Plated Carbon Steel
Prism	Fused Glass
Operating pressure	170 bar Maximum
Operating temperature*	-40°C to +100°C
Current consumption	~45 mA
Output	Open Collector Output, 18 mA Sink, Max.
Electrical termination	22 AWG, Polymeric, 0.3m
Repeatability	±1 mm
Approvals	CE, UL

* These switches are not for use in freezing liquid

Typical Wiring Diagrams

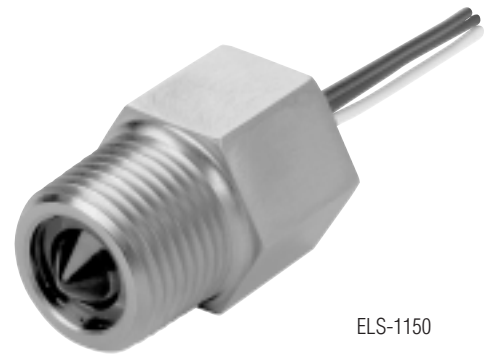


Note: Inductive loads must be diode suppressed.

How To Order

Specify Part Number based on Input Power and Output Condition Required

Input Power	Probe Conditions at Current Sink	Part Numbers
5 VDC	Wet	194469
	Dry	194470
12 VDC	Wet	194471
	Dry	194472
24 VDC	Wet	203385
	Dry	205600

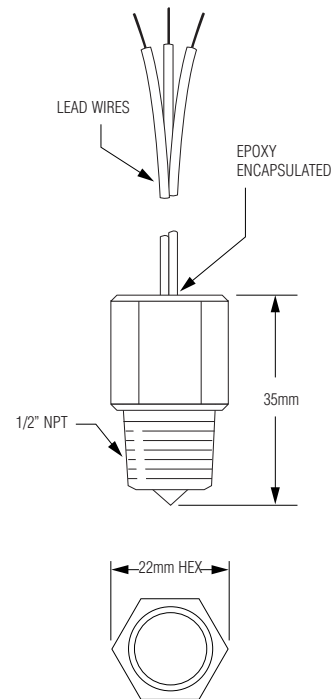


ELS-1150



Dimensions

ELS-1150 Series



Mounting Attitude

These units must be mounted horizontally or up to 45° from horizontal only.

