

D Series – High Flow

- ▶ MOPD: 900 PSI
- ▶ C_v Range: 0.045 to 0.880
- ▶ 10 Watts

For maximum flow in a miniature solenoid valve the D Series valves delivers a wide range of C_v values and maximum operating pressures. The D Series is also available in multiple body materials, seal materials, coil constructions, voltages, and wattages. Proven to perform for millions of cycles without failure, the D valve—as with the entire valve series—is ideal for manifold configurations, sub-assemblies, and complete fluidic systems. The D Series is the largest in a progression—A Series, B Series, and C Series—of the highly flexible, modular design, (general purpose) valves.

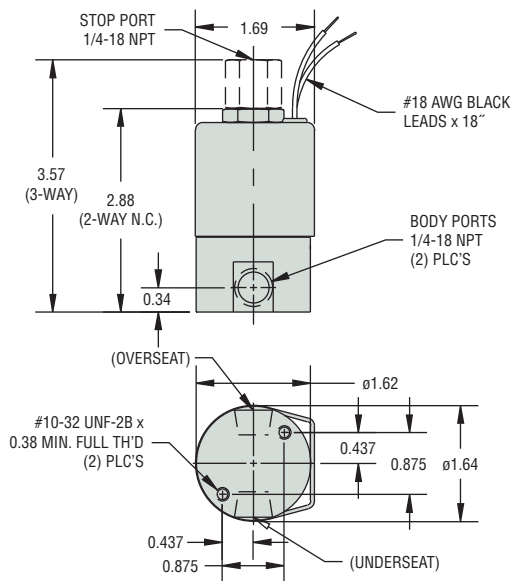


Typical Applications

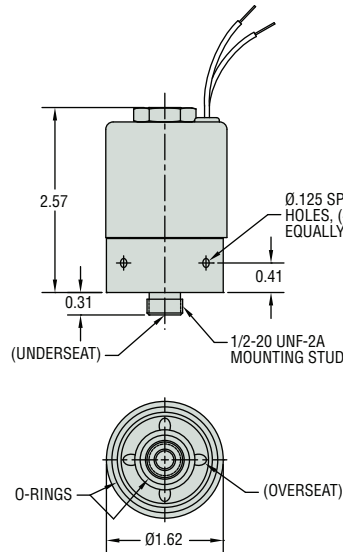
- Agriculture
- Defense
- Sterilization Equipment
- Industrial Automation

Dimensions

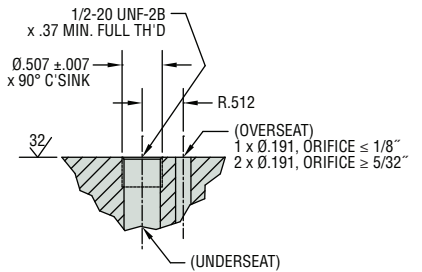
Threaded Port Body



Manifold Mount Body

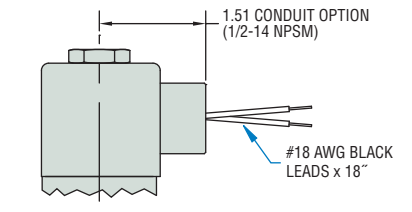


MANIFOLD MATING DIMENSIONS



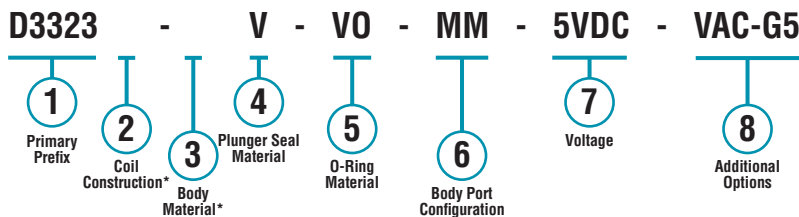
Alternate 1/2" Conduit Housing

Available on all body configurations



How To Order

Use the **Bold** characters from the choices listed on the following page to construct a product code.



* Blank entry indicates a "Standard" selection (Tape-wrapped, Class-B, with 18" lead-wires and 430F Stainless Steel, in this case).

Example:

D3323-V-VO-MM-5VDC-VAC-G5

3-Way Multi Purpose (with 1.26 Conduit Option) solenoid valve, with tape-wrapped, Class-B, with 18" lead-wires, 430F stainless steel body, Viton® plunger seal, Viton® o-ring, manifold mount (1/2-20 UNF-2A mounting stud, max. orifice = 14"), operating at 5 VDC, and includes vacuum application (0 to 29.5" Hg) and one piece 316 stainless steel guide assembly options.

Part Prefix Table ①

| | Orifice | | MOPD (psig) | C _v | | ① Primary Prefix | |
|----------------------------------|---------|------|-------------|----------------|-------|------------------|-----------------|
| | Body | Stop | | Body | Stop | Grommet Housing | Conduit Housing |
| 2-WAY N.C. | 3/64 | — | 900 | 0.045 | — | D2011 | D2021 |
| | 1/16 | — | 650 | 0.080 | — | D2012 | D2022 |
| | 3/32 | — | 350 | 0.150 | — | D2013 | D2023 |
| | 1/8 | — | 225 | 0.210 | — | D2014 | D2024 |
| | 5/32 | — | 130 | 0.380 | — | D2015 | D2025 |
| | 3/16 | — | 85 | 0.430 | — | D2016 | D2026 |
| | 1/4 | — | 50 | 0.700 | — | D2017 | D2027 |
| | 5/16 | — | 20 | 0.850 | — | D2018 | D2028 |
| | 3/8 | — | 10 | 0.880 | — | D2019 | D2029 |
| 2-WAY N.O. | — | 3/64 | 900 | — | 0.045 | D2211 | D2221 |
| | — | 1/16 | 550 | — | 0.080 | D2212 | D2222 |
| | — | 5/64 | 300 | — | 0.110 | D2213 | D2223 |
| | — | 3/32 | 175 | — | 0.150 | D2214 | D2224 |
| | — | 1/8 | 110** | — | 0.210 | D2215 | D2225 |
| | — | 5/32 | 60** | — | 0.380 | D2216 | D2226 |
| 3-WAY N.C. Free Vent | 1/16 | 1/16 | 175 | 0.080 | 0.080 | D3011 | D3021 |
| | 5/64 | 5/64 | 150 | 0.110 | 0.110 | D3012 | D3022 |
| | 3/32 | 3/32 | 125 | 0.150 | 0.150 | D3013 | D3023 |
| | 1/8 | 1/8 | 85** | 0.210 | 0.210 | D3014 | D3024 |
| | 5/32 | 5/32 | 45** | 0.380 | 0.380 | D3015 | D3025 |
| | 3/16 | 5/32 | 30** | 0.430 | 0.380 | D3016 | D3026 |
| | 1/4 | 5/32 | 10** | 0.700 | 0.380 | D3017 | D3027 |
| 3-WAY N.C. Line Connection | 1/16 | 1/16 | 175 | 0.080 | 0.080 | D3111 | D3121 |
| | 5/64 | 5/64 | 150 | 0.110 | 0.110 | D3112 | D3122 |
| | 3/32 | 3/32 | 125 | 0.150 | 0.150 | D3113 | D3123 |
| | 1/8 | 1/8 | 85** | 0.210 | 0.210 | D3114 | D3124 |
| | 5/32 | 5/32 | 45** | 0.380 | 0.380 | D3115 | D3125 |
| | 3/16 | 5/32 | 30** | 0.430 | 0.380 | D3116 | D3126 |
| | 1/4 | 5/32 | 10** | 0.700 | 0.380 | D3117 | D3127 |
| 3-WAY N.O. | 1/16 | 1/16 | 200 | 0.080 | 0.080 | D3211 | D3221 |
| | 5/64 | 5/64 | 175 | 0.110 | 0.110 | D3212 | D3222 |
| | 3/32 | 3/32 | 150 | 0.150 | 0.150 | D3213 | D3223 |
| | 1/8 | 1/8 | 100** | 0.210 | 0.210 | D3214 | D3224 |
| | 5/32 | 5/32 | 50** | 0.380 | 0.380 | D3215 | D3225 |
| | 3/16 | 5/32 | 35** | 0.430 | 0.380 | D3216 | D3226 |
| | 1/4 | 5/32 | 15** | 0.700 | 0.380 | D3217 | D3227 |
| 3-WAY Multi Purpose | 1/16 | 1/16 | 160 | 0.080 | 0.080 | D3311 | D3321 |
| | 5/64 | 5/64 | 130 | 0.110 | 0.110 | D3312 | D3322 |
| | 3/32 | 3/32 | 110 | 0.150 | 0.150 | D3313 | D3323 |
| | 1/8 | 1/8 | 75** | 0.210 | 0.210 | D3314 | D3324 |
| | 5/32 | 5/32 | 40** | 0.380 | 0.380 | D3315 | D3325 |
| | 3/16 | 5/32 | 25** | 0.430 | 0.380 | D3316 | D3326 |
| | 1/4 | 5/32 | 10** | 0.700 | 0.380 | D3317 | D3327 |
| 3-WAY Directional Control | 1/16 | 1/16 | 225 | 0.080 | 0.080 | D3411 | D3421 |
| | 5/64 | 5/64 | 185 | 0.110 | 0.110 | D3412 | D3422 |
| | 3/32 | 3/32 | 150 | 0.150 | 0.150 | D3413 | D3423 |
| | 1/8 | 1/8 | 110** | 0.210 | 0.210 | D3414 | D3424 |
| | 5/32 | 5/32 | 60** | 0.380 | 0.380 | D3415 | D3425 |
| | 3/16 | 5/32 | 40** | 0.430 | 0.380 | D3416 | D3426 |
| | 1/4 | 5/32 | 20** | 0.700 | 0.380 | D3417 | D3427 |

** DC or rectified coil only

② Coil Construction

(blank) = Tape-wrapped, Class-B, with 18" lead-wires*
W = Tape-wrapped coil, lead-wires, non-standard length (specify in inches)
1 = Encapsulated coil, Class-B, lead-wires
2 = Molded coil, Class-F, lead-wires
3 = Encapsulated coil, Class-H, lead-wires
4 = Encapsulated coil, Class-B, 1/4" spade terminals
10 = Externally rectified coil (lead-wires only)
11 = Tape-wrapped coil, Class-H, lead-wires
HC = Encapsulated coil, Class-B, EN175301-803 Style A, Industrial, 18mm, 2+1 poles
HC2 = Encapsulated coil, Class-B, EN175301-803 Style C, Industrial, 9.4mm, 2+1 poles

③ Body Material

(blank) = 430F Stainless Steel*
BB = Brass
SB1 = 303 Stainless Steel
SB5 = 316 Stainless Steel

④ Plunger Seal Material

(blank) = Nitrile*
E = EPR
GV = Gasoline Viton® (2-way normally open and 3-way valves max. orifice = 3/32")
N = Neoprene (2-way normally closed valves only, max. orifice = 1/4")
NS = Nitrile (NSF/FDA, max. orifice = 1/4")
PF = Perfluoroelastomer (max. orifice = 1/4")
R = Rulon® (2-way normally closed valves only, max. orifice = 1/4")
T = PTFE (max. orifice = 1/4")
V = Viton®

⑤ O-Ring Material

(blank) = Nitrile*
EO = EPR
NO = Neoprene
NSO = Nitrile (NSF/FDA, 2-way valves only)
PFO = Perfluoroelastomer
TO = PTFE
VO = Viton®

⑥ Body Port Configuration

(blank) = 1/4-18 NPT female thread*
LC = 1/8-27 NPT female thread (max. orifice = 5/16")
LD = 3/8-18 NPT female thread
LT = 1/8-28 BSPT female thread (max. orifice = 5/16")
LU = 1/4-19 BSPT female thread
MM = Manifold mount (1/2-20 UNF-2A mounting stud, max. orifice = 1/4")††
OB = Omit body (operator style)
BI = Bottom over-seat port, female thread (max. orifice = 1/4")
BO = Bottom under-seat port, female thread

⑦ Voltage† (see note below)

___ **VDC** = DC (specify voltage)
 ___ **VAC** = AC (specify voltage; includes copper shading ring)

⑧ Additional Options

WM = Mounting bracket on the coil housing
TP = PTFE coated plunger
CP = Chamfered plunger
QO = Quiet operation (2-way valves only)
S = Silver shading ring
OC = Cleaned for oxygen use
VAC = Vacuum application (0 to 29.5" Hg)
G5 = One piece 316 Stainless Steel guide assembly

* Standard selection; will be used unless otherwise specified. Standard selections are not referenced in final part number.

† Can be AC rectified without shading ring. Use coil construction Code 10.
 †† Teflon® o-ring not suitable for manifold mount.