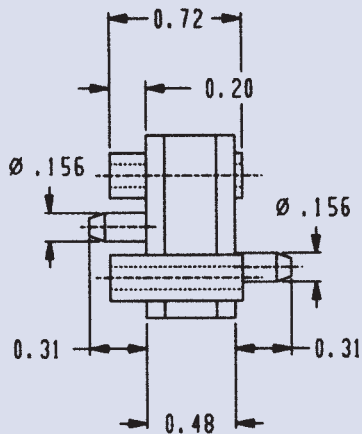
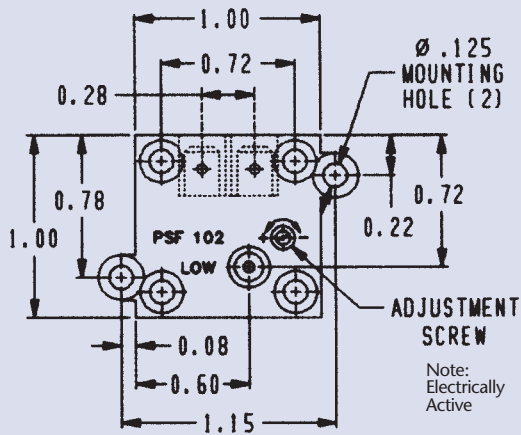


ULTRA SENSITIVE PRESSURE SWITCHES

PSF102 Series *for sensing pressure, vacuum & differential pressure*



FEATURES

- FIELD ADJUSTABLE SET POINT – high resolution/high accuracy field adjustment mechanism
- Adjustable set points from 0.1" H₂O to 30psi
- Gold inlay contacts
- Variety of options for ports and mounting
- Small size and lightweight
- PCB TERMINALS AVAILABLE



E41523

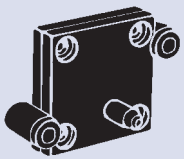
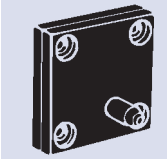
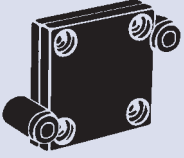

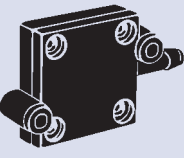
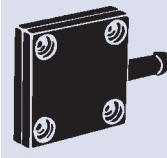
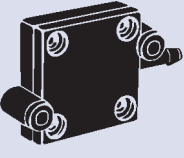
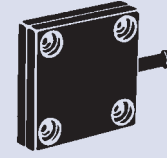
SPECIFICATIONS

MECHANICAL	
Switch Type	SPST normally open
Switching Medium	Air; compatible fluids on "High" side
Mechanical Life	More than 20 million cycles
Proof Pressure	See chart
Weight	Less than 10 grams
Operating Temp.	+40°F to +150°F (standard) -46°F to +205°F (consult factory)
PHYSICAL	
Mounting	Use #4 screws thru mounting lugs or #2 screws thru eyelets
Case Material	Polycarbonate standard (other materials available upon request)
Contact Material	18K Gold inlay
Diaphragm Material	Polyurethane standard (Teflon® optional)
Electrical Connections	Terminals – .187" x .020" spade (recessed) for use with quick disconnects uninsulated (ref. AMP Faston, 187 Series) PCB terminals available
Pressure Ports	Refer to DesignFLEX™ chart for standard options
ELECTRICAL	
Current Rating	40mA resistive for life in excess of 20 million cycles
Operating Voltage	AC/DC – 30V or less with resistive load; 120 VAC neon lamp load


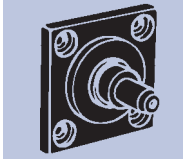
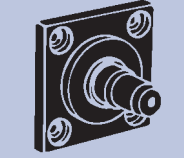
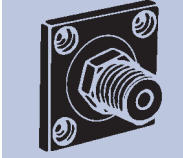
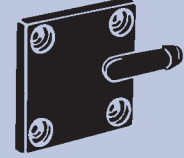
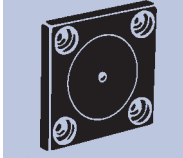
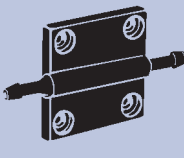
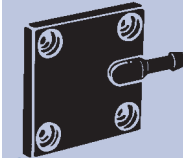
ULTRA SENSITIVE PRESSURE SWITCHES

PSF102 Series *for sensing pressure, vacuum & differential pressure*

Low Port/Housing Options

	
1 Smooth Port .156" Diameter for 1/8" ID Tubing w/Mtg. Lugs	2 Smooth Port .156" Diameter for 1/8" ID Tubing w/o Mtg. Lugs
	
3 No Port (.060" Vent Hole) w/Mtg. Lugs	4 No Port (.060" Vent Hole) w/o Mtg. Lugs
	
5 Barbed Port for 3/16" ID Tubing w/Mtg. Lugs	6 Barbed Port for 3/16" ID Tubing w/o Mtg. Lugs
	
7 Barbed Port for 1/8" ID Tubing w/Mtg. Lugs	8 Barbed Port for 1/8" ID Tubing w/o Mtg. Lugs

High Port/Cover Options

	
1 Smooth Port .156" Diameter for 1/8" ID Tubing	2 Smooth Port .187" Diameter for 5/32" ID Tubing
	
3 Smooth Port .250" Diameter for 7/32" ID Tubing	4 1/8" NPT Port
	
5 Barbed Port for 3/16" ID Tubing	6 No Port (.060" Vent Hole)
	
7 Flow-Thru Barbed Port for 1/8" ID Tubing	8 Barbed Port for 1/8" ID Tubing

Pressure Set Point Options

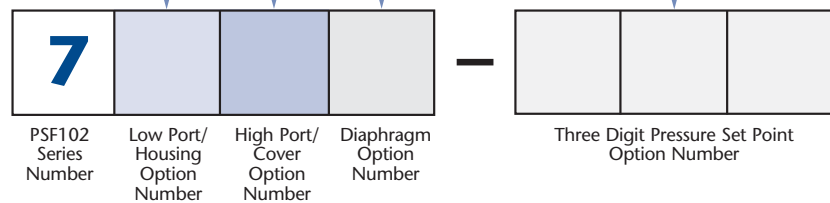
Option No.	In. H ₂ O	mbar	PSI	Proof Pressure	Tolerance
710	0.1 to 0.5	0.25 to 1.25	.004 to .018	4 PSI	±0.1 In. H ₂ O
711	0.5 to 2.0	1.25 to 4.98	.018 to .072	8 PSI	±0.2 In. H ₂ O
712	2.0 to 15.0	4.98 to 37.37	.072 to .541	8 PSI	±0.5 In. H ₂ O
713	15.0 to 100.0	37.37 to 249.10	.541 to 3.60	15 PSI	±10%
714	83.0 to 830.0	249.10 to 2068.0	3.60 to 30.0	30 PSI	±10%

Diaphragm Options

- 1** Polyurethane (standard)
- 2** Teflon (optional)

DESIGN GUIDE

Choose one option number from each of the above categories and arrange in the sequence shown here.



• **Other mounting and porting options available.** •

Example:

7112-710 = PSF102 Series ultra sensitive pressure switch with • Low Port/Housing, .156" Diameter, Smooth Port with Mounting Lugs • High Port/Cover, .156" Diameter, Smooth Port • Teflon Diaphragm • Adjustable Set Point Range: 0.1" to 0.5" H₂O