

# PS93 – General Purpose Differential Pressure Switch

- ▶ 10 to 45 psi (.7 to 3 bar) *formerly PS-D series*
- ▶ Compact Construction
- ▶ Can Be Mounted in Tight Spaces
- ▶ Rugged Housing

The PS93 Series compact design enables them to be mounted in tight spaces. The switches use a piston/diaphragm design which incorporates the high proof pressure of piston technology with the sensitivity of a diaphragm design. The PS93 series switches may be field or factory adjusted via a hex screw inside the low port, protecting them against unauthorized tampering.

## Specifications

<b>Operating Temperature</b>	
<b>Buna-N</b>	-4°F to +176°F (-20°C to +80°C)
<b>EPDM<sup>1</sup></b>	-40°F to +176°F (-40°C to +80°C)
<b>Viton<sup>®1</sup></b>	+32°F to +176°F (+0°C to +80°C)
<b>Switch<sup>2</sup></b>	5 Amp SPDT @ 240 VAC and 24 VDC; 0.5 Amp @ 24 VDC (-G option)
<b>Repeatability</b>	±2% of highest set point @ 68°F (20°C)
<b>Wetted Parts</b>	
<b>Diaphragm</b>	Buna-N (optional EPDM, Viton <sup>®</sup> and Neoprene)
<b>Fitting</b>	Zinc-plated steel (optional Brass or 316 Stainless Steel)
<b>Electrical Termination</b>	DIN 43650A (IP65)
<b>Proof Pressure</b>	500 psi (35 bar)
<b>Approvals</b>	CE
<b>Weight, Approximate</b>	0.75 lbs. (0.35 kg)

Notes:

1. Optional
2. Gold contacts (option G) may be required for less than 12 VDC and 20 mA.

## How To Order

Use the **Bold** characters from the chart below to construct a product code.

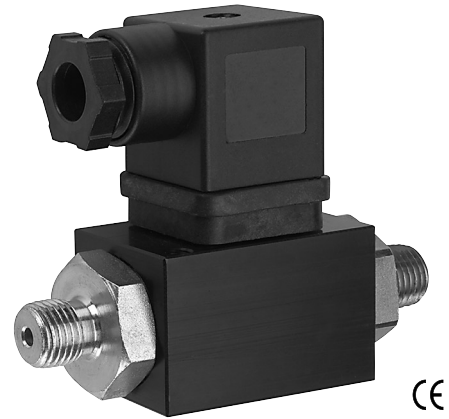
<b>SELECT</b>	<b>PS93</b>	<b>-10</b>	<b>-4MNS/4MNS</b>	<b>-C</b>	<b>-H</b>	<b>-XX</b>	<b>-XXXX</b>
---------------	-------------	------------	-------------------	-----------	-----------	------------	--------------

1. Pressure Range Code -10  
Insert Pressure Range Code from table below right
2. Pressure Fitting -4MNS/4MNS  
High Port Low Port  

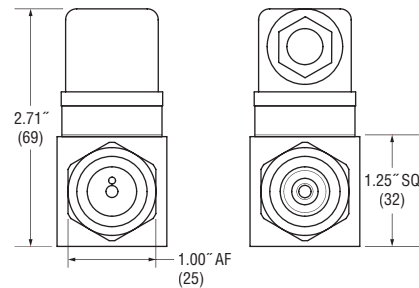
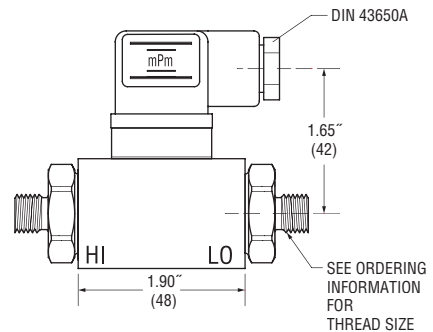
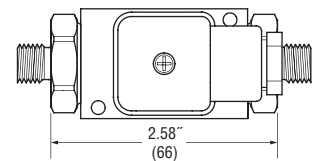
<u>12L14 Zinc Plated Steel</u>	<u>Brass</u>
<b>-2MNZ</b> 1/8" NPTM;	<b>-4MNB</b> 1/4" NPTM;
<b>-2MGZ</b> 1/8" BSPM;	<b>-4MGB</b> 1/4" BSPM
<b>-4MNZ</b> 1/4" NPTM;	
<b>-4MGZ</b> 1/4" BSPM;	
<b>-4FNZ</b> 1/4" NPTF;	
<b>-4MSZ</b> 7/16"-20 SAE Male	
<u>316 Stainless Steel</u>	<u>316 Stainless Steel</u>
<b>-4MNS</b> 1/4" NPTM	<b>-4MNS</b> 1/4" NPTM
3. Circuit -C  
**-C** SPDT
4. Electrical Termination -H  
**-H** DIN 43650A Male Half Only (standard); **-HC** DIN 43650A 9mm Cable Clamp;  
**-HN** DIN 43650A with 1/2" Female NPT Conduit
5. Options -V  
**-V** Viton<sup>®</sup> Diaphragm; **-E** EPDM Diaphragm; **-N** Neoprene Diaphragm;  
**-G** Gold Contacts (for loads less than 12 mA @ 12 VDC)
6. Fixed Set Point (optional)  
A. Specify set point **-FS** (in PSI or BAR, see example)<sup>1</sup>  
B. Set Point Actuation -F  
**R** on Rising Pressure; **F** on Falling Pressure  
Example: **-FS1BARF** for 1 BAR Falling or **-FS10PSIR** for 10 PSI Rising

Note:

1. Set Point must be within Pressure Range selected in Step 1 above.



## Dimensions



## Pressure Range Codes

Pressure Range Code	Pressure Range	Average Dead Band
10	10-25 psi (0.7-1.7 bar)	3-8 psi (0.2-0.4 bar)
20	20-45 psi (1.4-3.1 bar)	5-15 psi (0.35-1 bar)