

FS-200 2.0 - 190 (l/min) with pre-adjusted set points

SHUTTLE TYPE

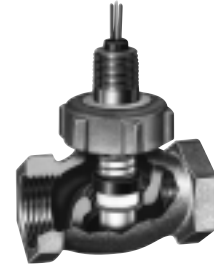
The FS-200 range of flow switches offer accurate flow detection, with 1% repeatability, with a wide range of flow and port sizes. The durable construction delivers long life repeatability in either water or oil. The design of large flow paths keep pressure drop low, thus are ideal for detection of flow in high volume lubrication, cooling or process applications.

Specifications (all data related to water at +20°C)

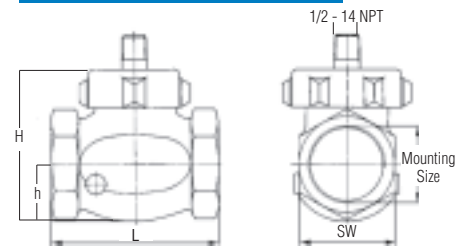
Max. flow	see order numbers
Max. operating pressure	27 bar at +20 °C
Proof pressure	45 bar
Temperature range	- 20 °C...+150 °C
Set points	see order numbers
Switching function (related to increasing flow)	SPDT
Factory calibration position	horizontal, electrical connection up
Mounting orientation	any position
Repeatability	±1%
Adjustment accuracy	±10%
Hysteresis	max. 15%
Mounting	1" NPT...2" NPT (see "dimensions" and "order number")
Electrical connections	- lead wire: Polymeric, 18 AWG (length: approx. 0.6m)
Enclosure	- IP 44 (with lead wire) - IP 54 (with conduit box IP65 [with K6])
Electrical data contact rating	20 VA; 0,5 A; 250 V~
Weight	see "dimensions"

How to Order

Set point (l/min)	Mounting	Max. flow (l/min)	Order number Housing Bronze	Order number Housing Stainless Steel
2.0 4.0	1" NPT	80	27051	27059
7.5 11.5			27052	27060
15.0 19.0			27053	27061
22.5 30.0			27054	27062
			27055	27063
			27056	27064
27057			27065	
27058			27066	
4.0 7.5	1 1/4" NPT	140	27067	27076
15.0 22.5			27068	27077
30.0 37.5			27069	27078
			27070	27079
			27071	27080
			27072	27081
45.0 60.0 75.0			27073	27082
			27074	27083
			27075	27084
6.0 11.5	1 1/2" NPT	200	27085	27093
19.0 28.5			27086	27094
37.5 57.0			27087	27095
75.0 115.0			27088	27096
			27089	27097
			27090	27098
			27091	27099
			27092	27100
7.0 15.0	2" NPT	350	27101	27109
19.0 37.5			27102	27110
57.0 95.0			27103	27111
			27104	27112
			27105	27113
			27106	27114
132.5 190.0			27107	27115
			27108	27116



Dimensions (in mm)

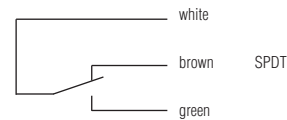


- Housing: Bronze or Stainless Steel
- Disc: Stainless Steel
- Spring: Stainless Steel
- O-Ring: Viton®
- Magnet: PTFE/Ceramic

Mounting D	1" NPT	1 1/4" NPT	1 1/2" NPT	2" NPT
L	83	115	115	150
h	26	30	35	44
SW	42	53	62	72
H	71	83	98	118
Approx. weight	1.2 kg	1.8 kg	2.5 kg	4.0 kg

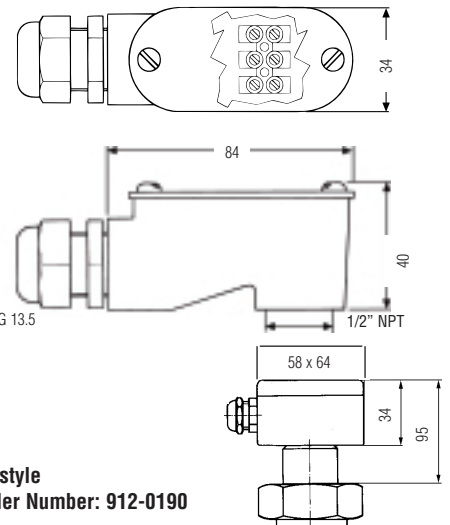
Pressure Drop Diagram see previous page

Wiring Diagram



Terminal boxes

Conduit style Order Number: 912-0615



K6 style Order Number: 912-0190

*Order numbers are valid for units with the electrical connection "lead wire". If you need a unit with the electrical connection "terminal box", please select the respective "lead wire" order number and add: "...with mounted terminal box 912-0615 or 912-0625. See drawing (previous page)

FLOW SWITCHES