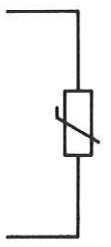
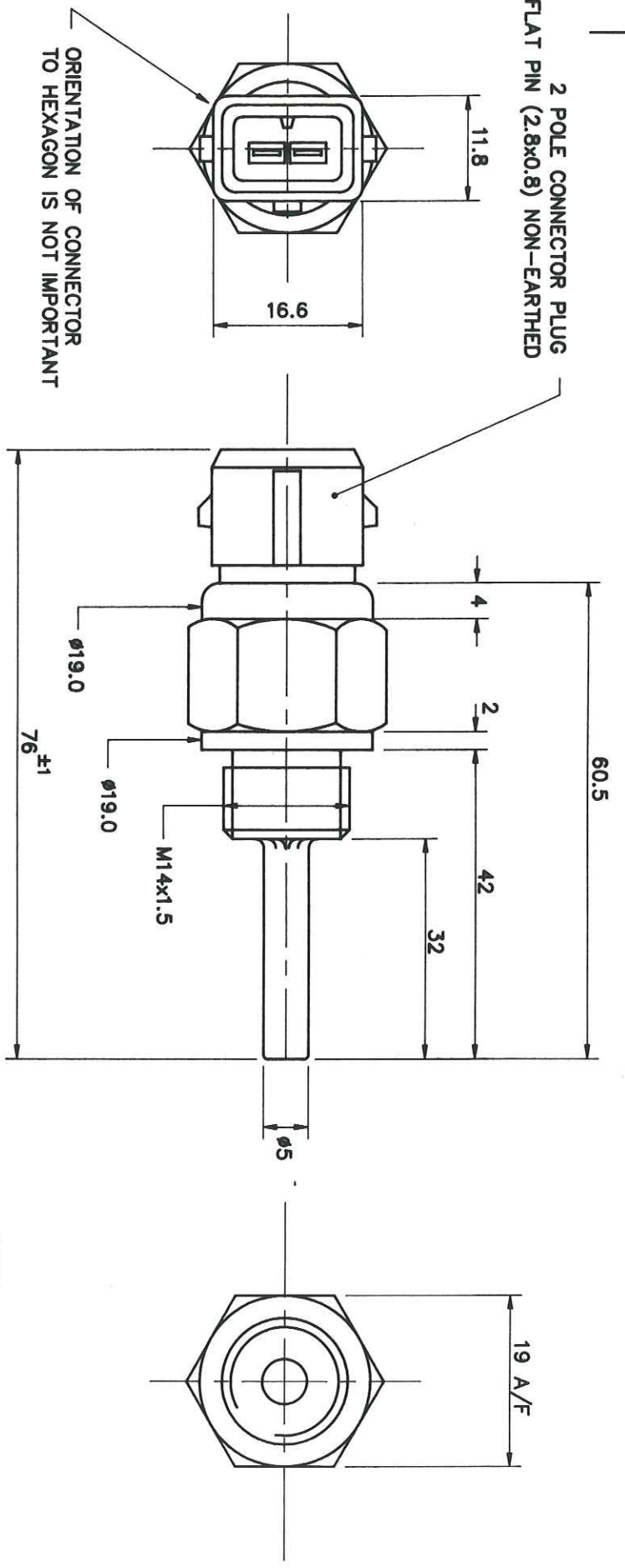


CUSTOMER WORKS ORDER No.

THIRD ANGLE PROJECTION

USED ON

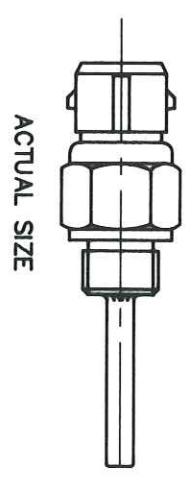
2 POLE CONNECTOR PLUG
FLAT PIN (2.8x0.8) NON-EARTHED



2 WIRE RTD CLASS A
TO BS EN 60751

THIS DRAWING COMPLIES WITH B.S. 308

D/OISSUED 7-11-02



MATERIAL		FINISH		ORIGINAL SCALE	
ST.STL.316		NATURAL		2 : 1	
DRN.	DATE	CHKD	APP'D	DIMENSIONS IN MILLIMETRES	
				TOLERANCES UNLESS OTHERWISE STATED	
D.C.	11-7-02	PLA	MA	X..... ± 0.4	
ISSUE	A	B	C	X.X..... ± 0.2	
DATE		1-1-02	1-1-02	X.XX... ± 0.05	
E.C.R. No.	506	616		THE ABOVE DO NOT APPLY TO DRILLED HOLES	
AUTOCAD FILE: H14413C				TOLERANCES ON DRILLED HOLES + 1% OR + 0.05 ON NOMINAL SIZE WHICHEVER IS THE GREATER	
				MACHINED DIAMETERS TO BE CONCENTRIC WITHIN 0.1 T.C.R.	
				HOLES DISPOSED ON A PITCH CIRCLE TO BE WITHIN 0.08 OF TRUE POSITION	
				DRAWING No.	
				HBS/1/4413	
				TITLE	
				RTD PROBE ASS'Y.	