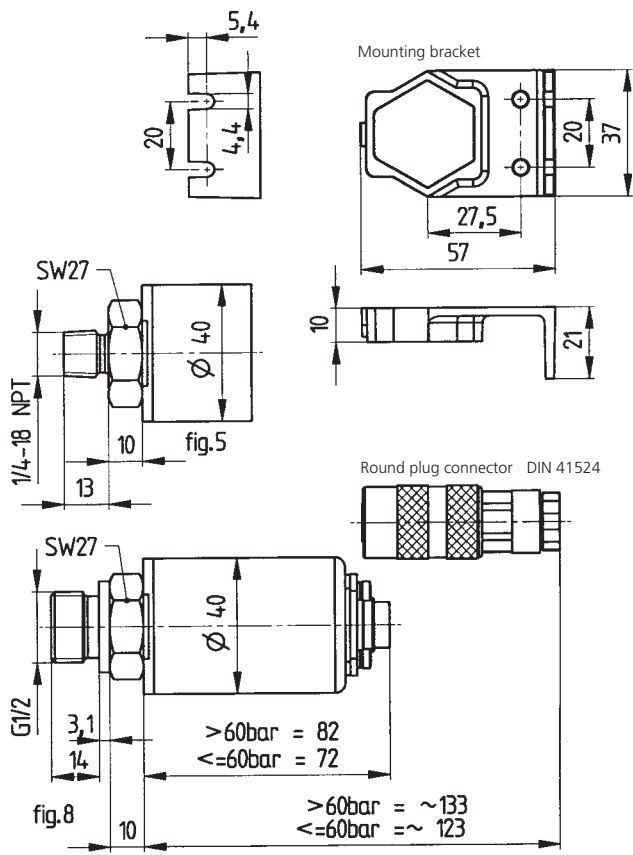
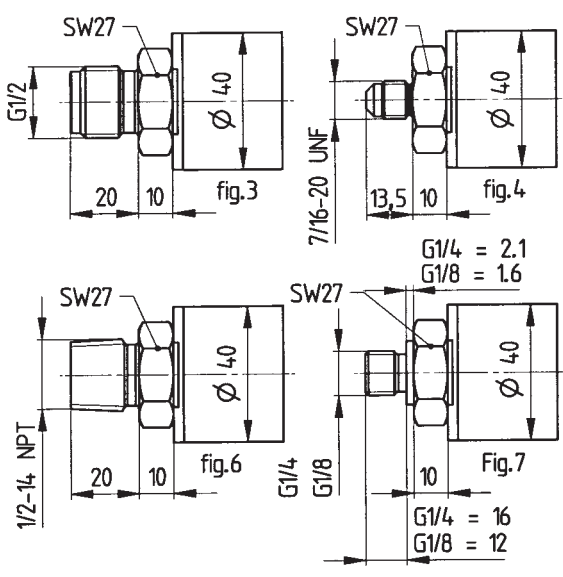
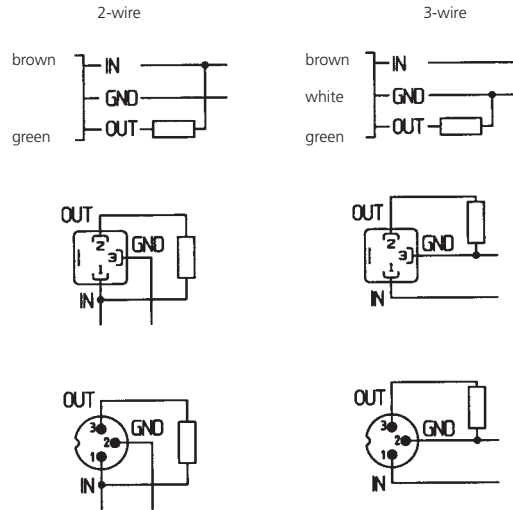
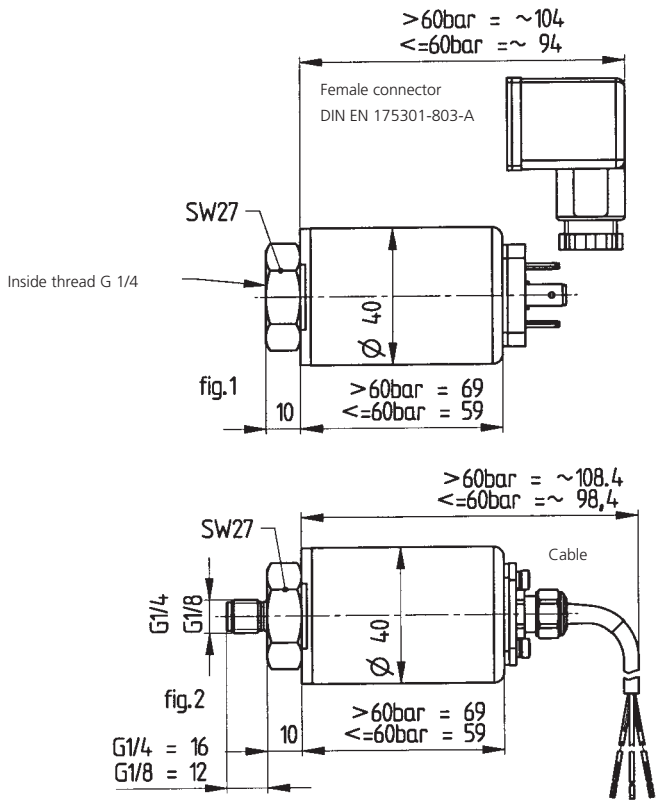


The delivery includes a detailed connection diagram for each connection variant.



Electromagnetic compatibility:

CE conformity (EMC) by application of harmonized standards: Interference stability EN 61000-6-2 and EN 61000-6-3

Interference stability	Test standard	Effect	
Electrostatic discharge (ESD)	EN 61000-4-2	8 kV air, 8 kV contact	no effect
High-frequency electromagnetic radiation (HF)	EN 61000-4-3	10 V/m, 80 ... 1000 Mz	no effect
Conducted HF interference	EN 61000-4-6	10 V, 0.15 ... 80 MHz	no effect
Fast transients (burst)	EN 61000-4-4	2 kV	no effect
Surge	EN 61000-4-5	max. tolerable cable length 10 m	no test
Magnetic fields	EN 61000-4-8	30 A/m, 50 Hz	no effect
Interference emit	Test standard		Effect
Conducted interference	EN 55022 (CISPR 22)	0.15... 30 MHz	no emission
Radiation from housing	30...1000 MHz, 10 m		No emission

Headquarters
Huba Control Schweiz
Industriestrasse 17
CH-5436 Würenlos
Telefon ++ 41 (0) 56 436 82 00
Telefax ++ 41 (0) 56 436 82 82
info.ch@hubacontrol.com

Huba Control United Kingdom
Unit 3 Network Point, Range Road
GB-Witney Oxfordshire OX29 0YD
Tel 01993 776667
Fax 01993 776671
info.uk@hubacontrol.com
www.hubacontrol.com

Agent for: