

5000 Series Low Range Pressure Transducer



- ▶ Submersible and General Purpose Models
- ▶ Open Faced for Viscous Liquids
- ▶ High Proof Pressures

The 5000 Series features a sturdy ceramic diaphragm and precision capacitance technology to detect minute pressure variations, while withstanding large pressure spikes. The tough ceramic sensor is housed in a stainless steel case to ensure performance in the most demanding applications. Both voltage and 4-20mA outputs are available at time of order. A switch and potentiometer can be accessed for field adjustment of range with 3:1 ranging capability.



Specifications

Input

Pressure Range	0 to 25mb to 0 to 1 bar
Proof Pressure	2 bar for ranges 200mb and below 4 bar for ranges 201mb to 350mb 7 bar ranges 351mb to 1 bar
Burst Pressure	3 bar for 70mb and below 4 bar for 71mb to 200mb 6 bar for 201mb to 350mb 10 bar for bar ranges 351mb to 1 bar
Fatigue Life	10 million FS cycles

Performance

Long Term Stability	.25% span/annum
Accuracy	.2% span max
Thermal Error	2% span max
Compensated Temperatures	-20°C to 60°C (-5° to 140°F)
Operating Temperatures	-25°C to +85°C (-15° to 185°F) Electrical Code G and L -20°C to +50°C (-5° to 120°F) Electrical Code M and 3 -40°C to +100°C (-40° to 212°F) Process media
Zero Tolerance	0.1% span
Span Tolerance	0.1% span
Mounting Effects	.25% span max
Response Time	5ms
Supply Voltage Sensitivity	.01% span/volt
Zero Adjustment	±10% (by potentiometer)
Span Adjustment	±10% (by potentiometer)

Mechanical Configuration

Pressure Port	(See Ordering Guide)
Wetted Parts	S/S to UNS 31803; Inconel 625, Ceramic & Nitrile
Electrical Connection	(See Ordering Guide)
Enclosure	Code M IP68 Submersible Code G IP65
Approvals	CE ExII 1G, EExia IIB
Weight	330gms (excluding cable)

Individual Specifications

Voltage Output units

Output	(See Ordering Guide)
Supply Voltage (Vs)	2V above FRO or 7.5V whichever is greater, up to 35V Max

Current Output Unit

Output	4-20 mA (2 wire)
Supply Voltage (Vs)	9 to 35 Vdc
Max. Loop Resistance	(Vs-9) x 50 ohms



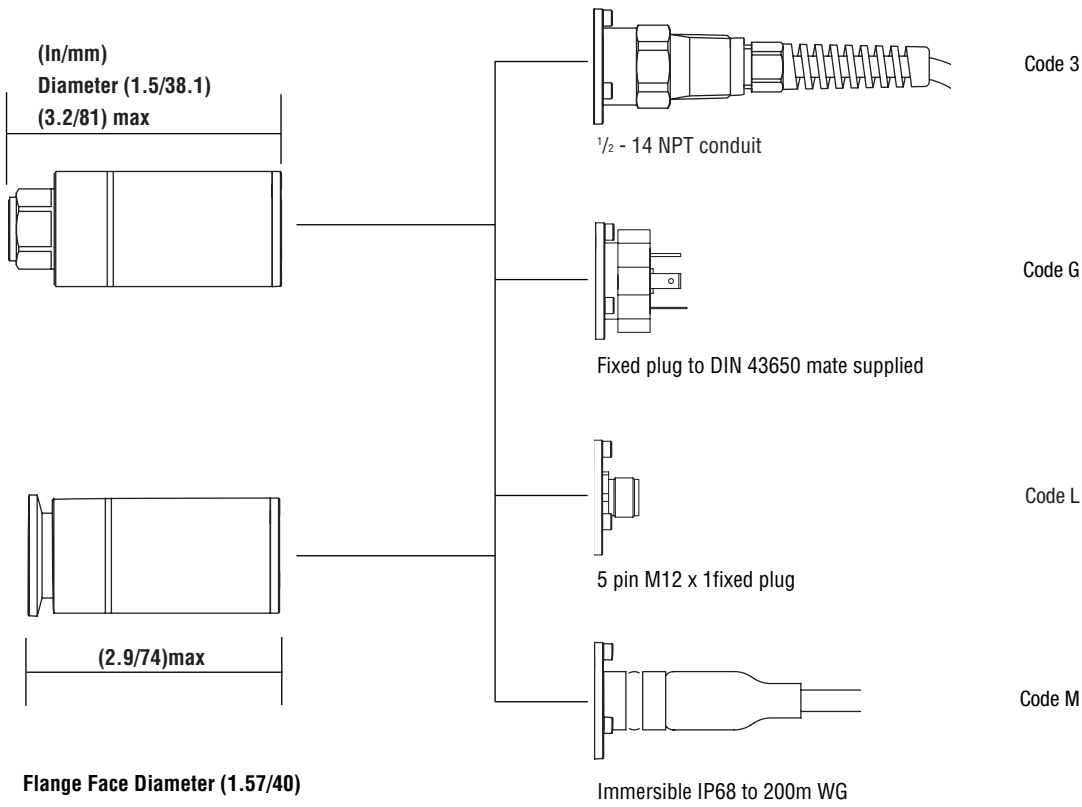
How to Order

Use the Bold characters from the chart below to construct a product code

SELECT

- 1. 5000 series **5000**
- 2. Output:
 - B** 4–20mA **C** 1–6Vdc **F** 0.1–5.1Vdc **H** 1–5Vdc
 - J** 0.5–5.5Vdc **R** 0–5Vdc
- 3. Pressure Datum: **G** gauge
- 4. Pressure range code*
 - M70** 25 to 70mb
 - N20** 71mb to 200mb
 - N35** 201mb to 350mb
 - A10** 351mb to 1 bar
- 5. Pressure Connection
 - OO** G1/4 Internal
 - OF** KF25 Flange
 - AK** G 1/4 external
 - BK** 1/4 - 18NPT external
 - KK** 7/16 - 20unf - 3A external
 - MK** M14x1.5 external
- 6. Electrical Connection
 - G** Fixed Plug to DIN 43650, Mating Connector Supplied
 - L** M12 x 1 (5 pin)
 - M** Immersible Cable Assembly, IP68
- 7. Approvals
 - 3** CE Marked
 - G** ATEX approved EX11 1G Exeia II CT4, galvanic isolators
- 8. Cable Length
 - 000** = No Cable
 - 001** = 1 metre
 - 999** = 999 metres etc
- 9. Static/Thermal Error Band
 - A** 0.25%/2%

* specify range setting required at time of order
eg. 0 to 75mb, 0 to 1mwg etc



Electrical connection	Wiring mA			Wiring Voltage			
	+	-	EARTH	+IN	OV	+OP	EARTH
G DIN	PIN 1	2	4	1	2	3	4
M IP68 CABLE	RED	BLUE	DRAIN	RED	WHITE	YELLOW	DRAIN

Indicators and Accessories Pages 61-66